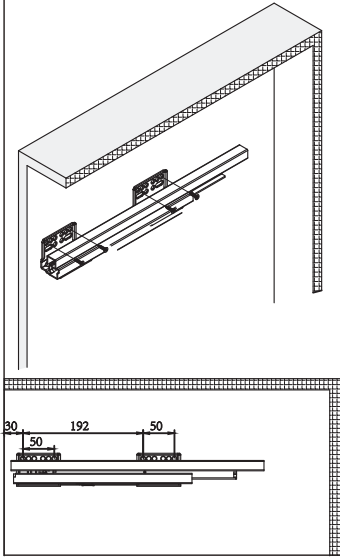
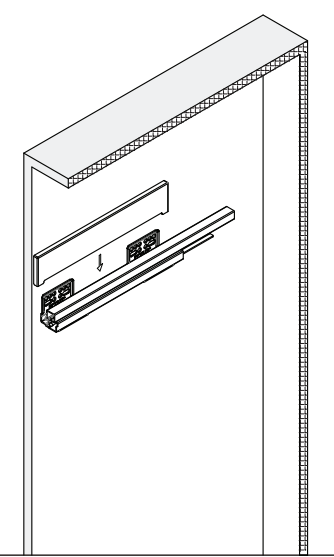


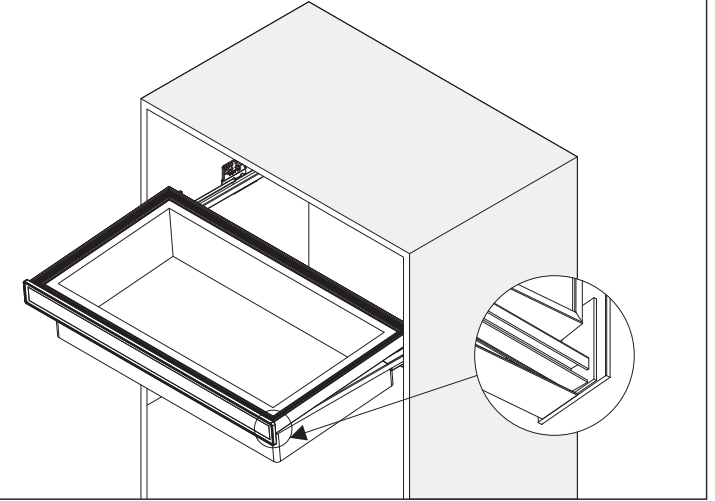
1 Install the slides
(Wardrobe inner depth $\geq 450\text{mm}$)



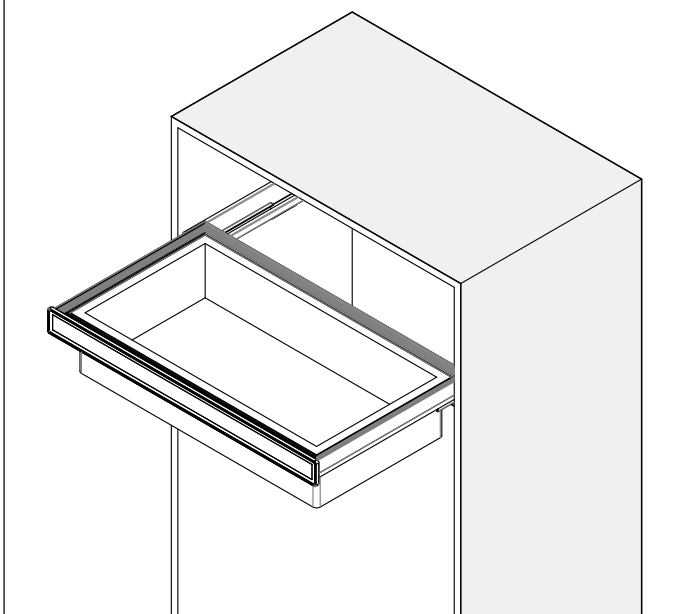
2 Install the slide cover



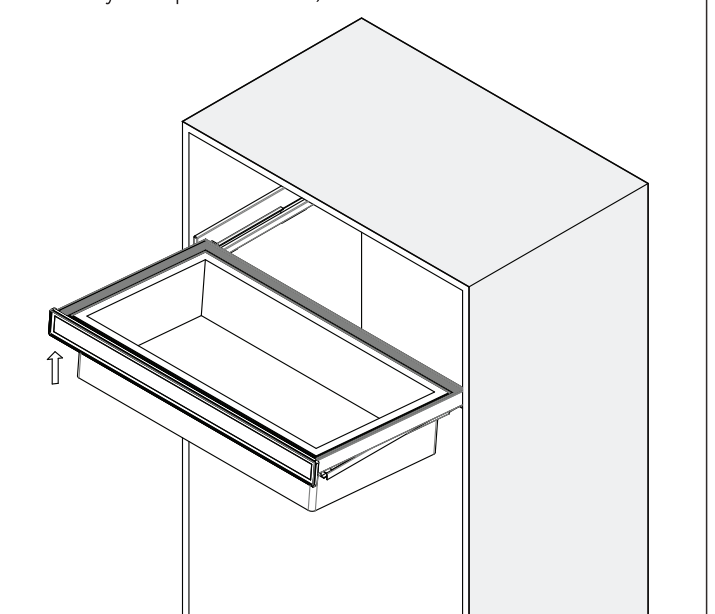
3 1.Put out the slides.
2.Slightly incline the aluminum frame and align it to the slides (as the detailed image shows).
3.Slowly lay the aluminum frame flat and press it downwards.



4 Install the slides
(Wardrobe inner depth $\geq 450\text{mm}$)



5 Disassemble the aluminum frame.
(Lightly hold the front of the aluminum frame, slowly lift it up and take it out).



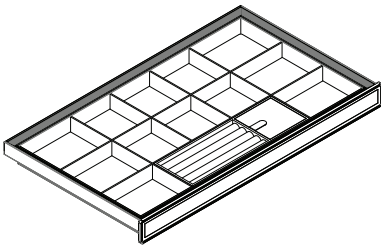
Attention:

- | | |
|---|--|
| 1.If the slides movement is unstable | --During slides installation,should prevent the sawdust or the objects going inside the slides. |
| 2.If the slides movement is not smooth | --Check if the wardrobe fitting's dimension meets the requirements. Check if the frame is deformed. Check if the slides are of the same height and parallel. |
| 3.If the aluminum frame cannot close till end | --Check if the slides installation dimension meets the requirement. Check if the slides are locked. |

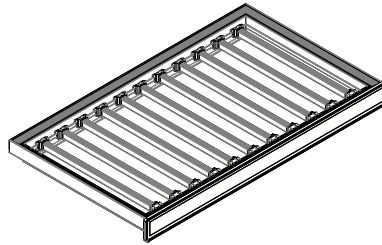
Seq No.	Accessories	Qty	
①	Slide Cover	2	
②	Left slide	1	
③	Aluminum frame	1	
④	Right slide	1	

Optional wardrobe fittings

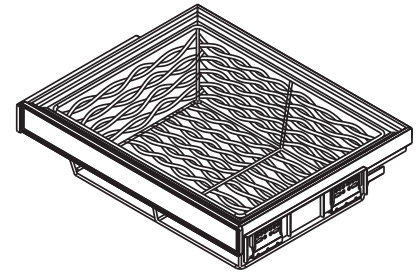
Jewelry Box



Trousers Rack



Rattan Basket

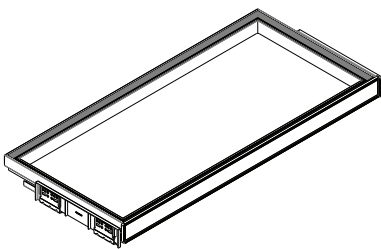


Optional cabinet sizes 900 800 700 600

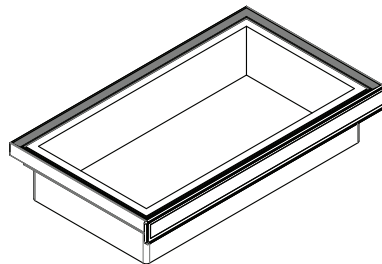
Optional cabinet sizes 900 800 700 600

Optional cabinet sizes 900 800 700 600

Box



Basket



Optional cabinet sizes 900 800 700 600

Optional cabinet sizes 900 800 700 600

Remark: The above images are just for reference. Actual specifications are subject to order requests.