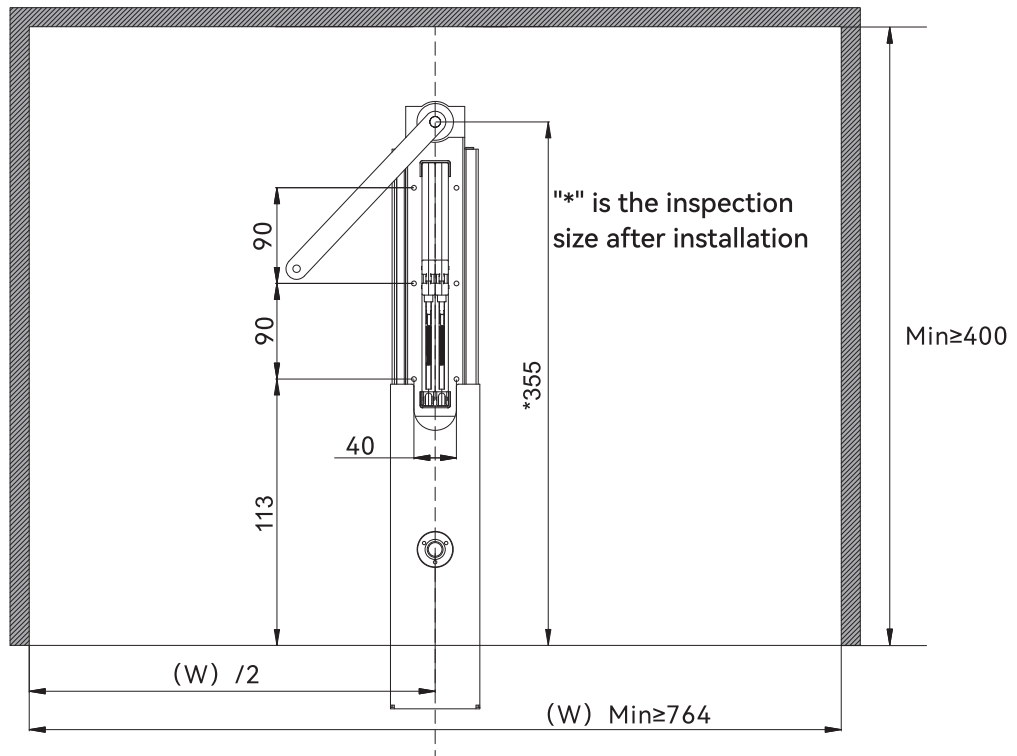


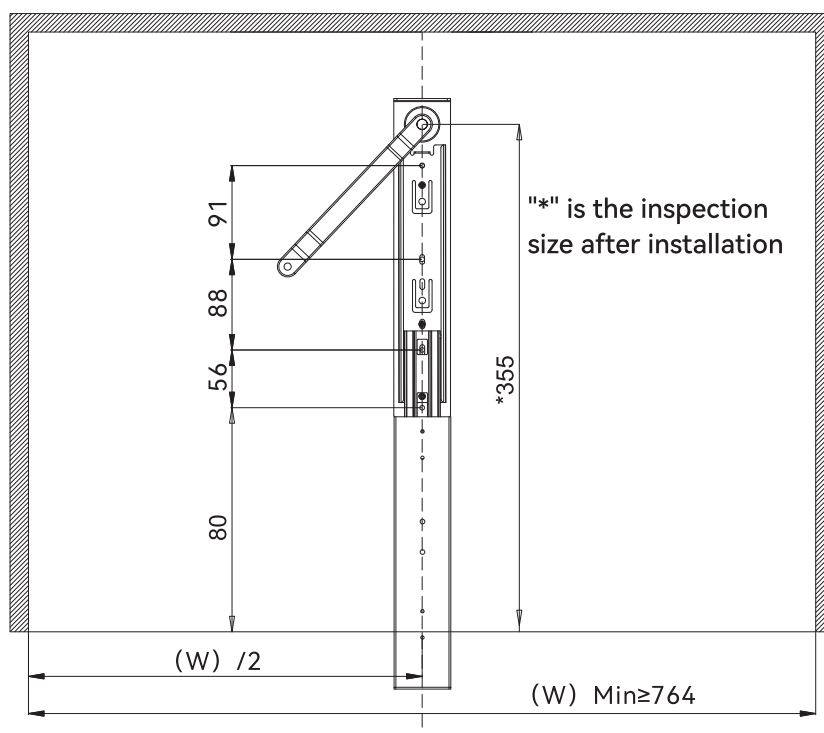
Installation of down slide

1. Refer to below drawing, pre-drilling the holes with $\Phi 2.5$ drill, then lock the slide with ST4*16 screws.

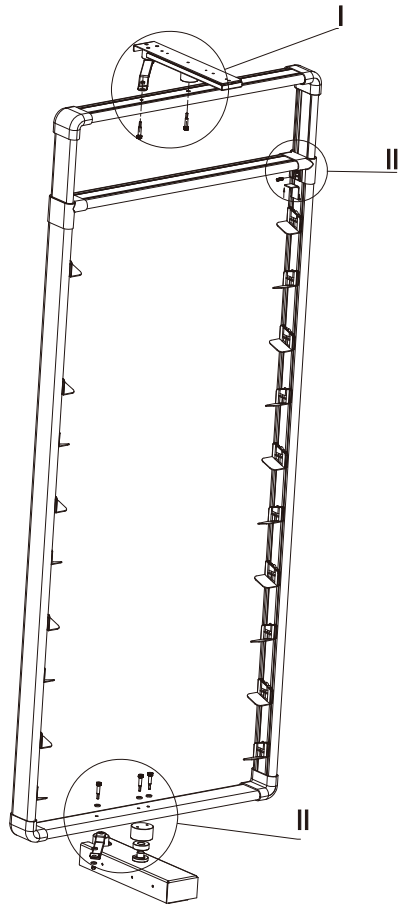


Installation of upper slide

1. Refer to below drawing, pre-drill the holes with $\Phi 2.5$ drill, then lock the slide with ST4*16 screws.



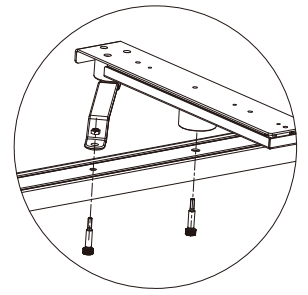
Fixing the frame



1

Fixing upper slide

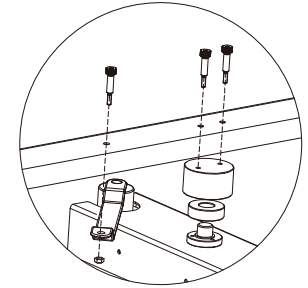
1. Fixing the upper slide with 6*20*M5 screw according to the reference picture on the right;



2

Fixing down slide

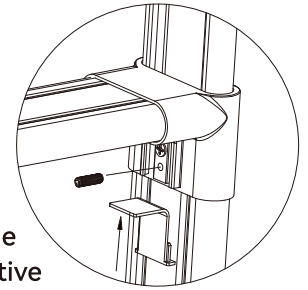
2. Fixing the down slide with 6*20*M5 screw according to the reference picture on the right;



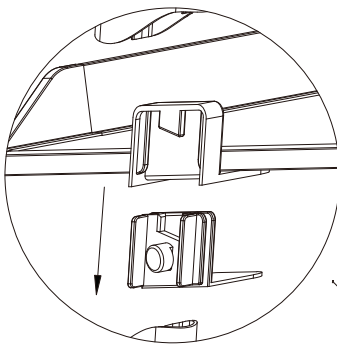
3

Adjustment

3. After completing above steps, fix the height by locking telescopic pole with M4*16 screw according to the reference picture on the right, then put on the decorative cover following the arrow direction.

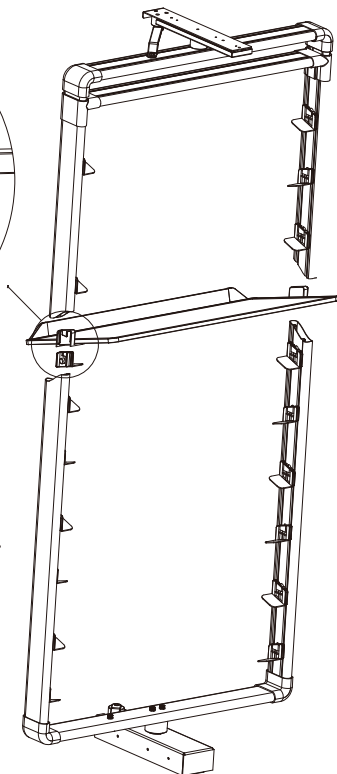


4



Installation of layer plate

4. After completing above steps, fasten the layer plates as the reference picture above.



Completion

