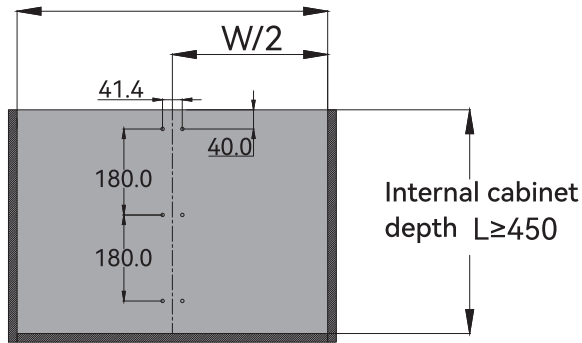


1

According to the hole position reference picture, draw the hole positions on the top panel of cabinet, then pre-drill 6 holes with a 2.5 diameter drill bit.

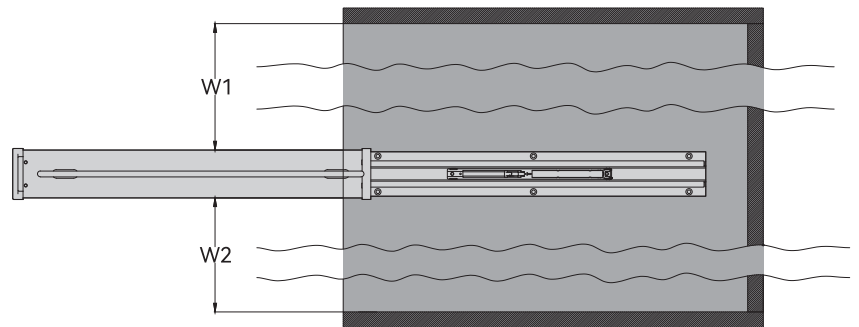
Internal cabinet width:
W(attached table)



Seq.	W/mm
1	≥414
2	≥385
3	≥650

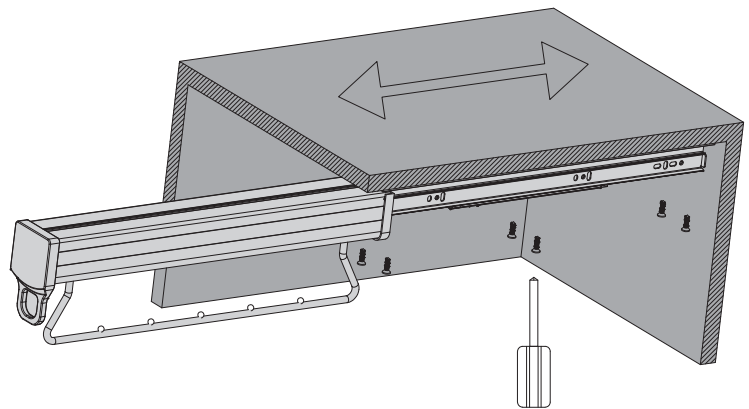
2

According to the reference picture, pulling out the outer aluminum shell of the hanger, then attach the base surface of the product to the pre-drilled hole surface and check whether the product is centered.(W1=W2)



3

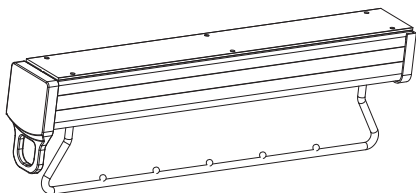
Use KA4*16 screws in the accessory bag to fix on the hanger to the holes and tighten them. Pull it out several times to check whether it can move smoothly.



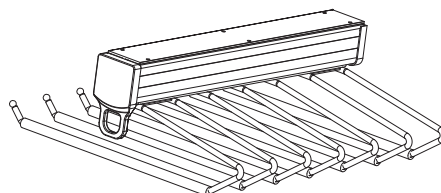
4

Optional products

Top-mounted closet hanger



Top-mounted single row trousers hanger



Top-mounted double row trousers hanger

