




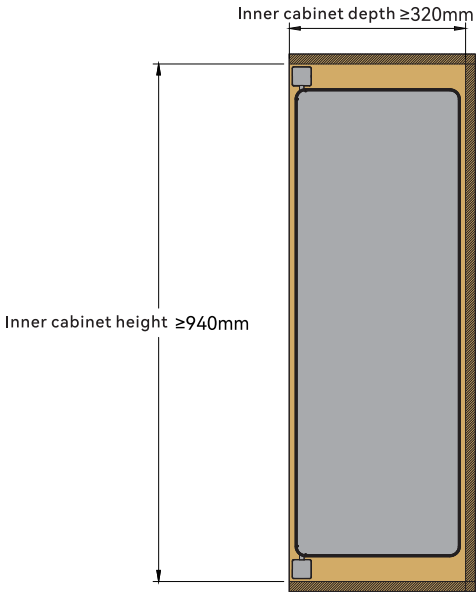
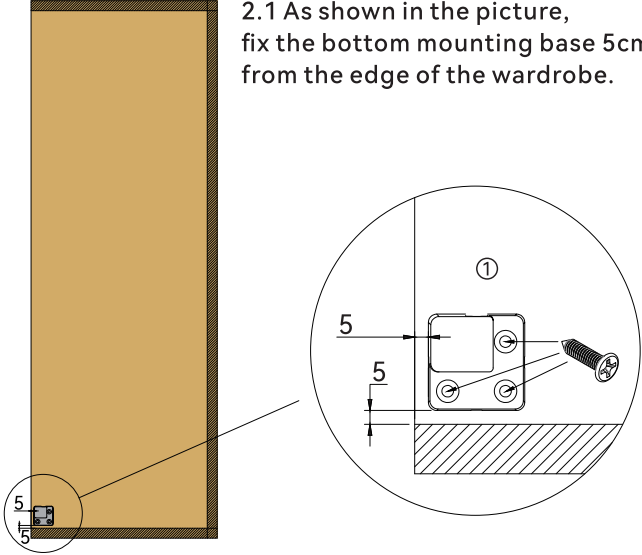


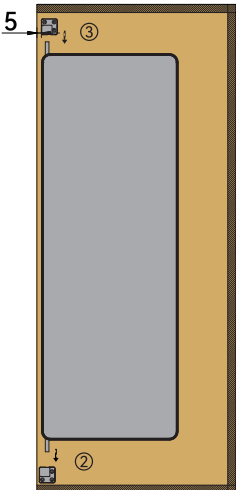
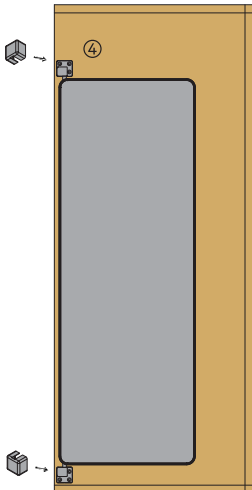
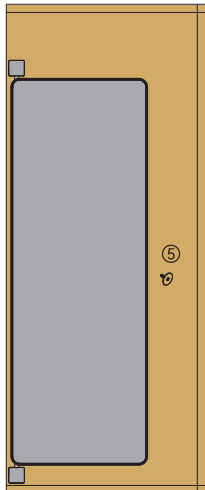
Aiden Revolve Mirror Installation Manual

Accessories:

Revolve Mirror: 1 pcs	Upper and bottom mounting base: 1 pcs each	Cover: 2 pcs	Tapping screw: 6 pcs	Magnetic screw: 1 pcs
				

Installation dimension	Installation step
 <p>Inner cabinet depth $\geq 320\text{mm}$</p> <p>Inner cabinet height $\geq 940\text{mm}$</p>	<p>2.1 As shown in the picture, fix the bottom mounting base 5cm from the edge of the wardrobe.</p> 

Installation dimension-1

<p>2.3 Put the upper mounting base into the pillar of revolve mirror, fix it with the screws.</p> 	<p>2.4 Put the cover into the mounting base</p> 	<p>2.5 Align the magnetic screws with the magnetic positions, fix it on the wardrobe panel.</p> 
<p>2.2 Put the revolve mirror into the mounting base</p>		