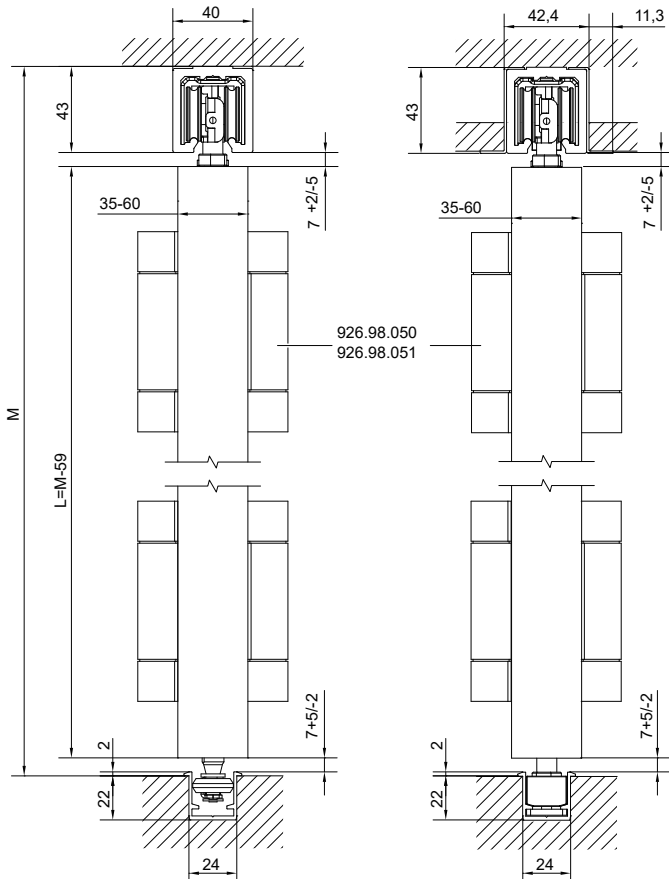




Slido W-Fold32 100T









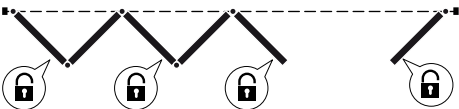
943.55.000 943.55.001

i



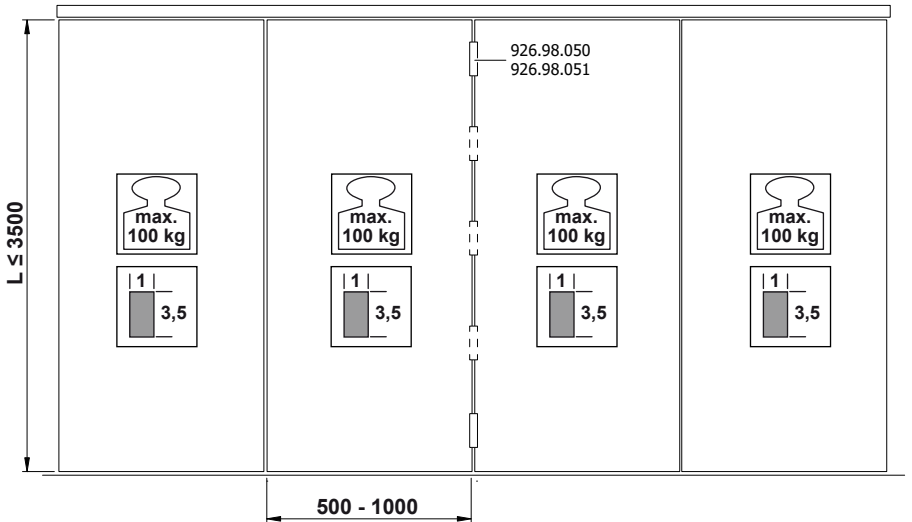
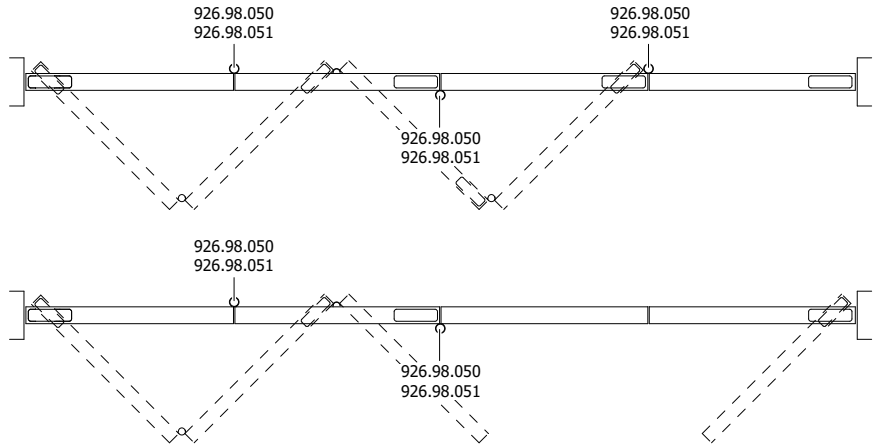
732.29.861

HDE 25.04.2023

 <p>► 37/40</p>		
	<p>943.55.000: 1x 943.55.051: 1x 943.55.041: 1x (943.55.061: 2x) 926.98.050: 1x(2;3;4) 943.55.004: 1x 943.55.071: 2x 950.09.487: 1x 943.55.072: 1x</p>	<p>943.55.001: 1x - 943.55.041: 1x (943.55.061: 2x) 926.98.050: 1x(2;3;4) 943.55.005: 1x 943.55.070: 2x 950.09.487: 1x 943.55.072: 1x</p>
	<p>943.55.000: 2x 943.55.050: 1x 943.55.040: 1x (943.55.060: 2x) 926.98.050: 2x(2;3;4) 943.55.071: 2x 950.09.487: 1x 943.55.072: 1x</p>	<p>943.55.001: 2x - 943.55.040: 1x (943.55.060: 2x) 926.98.050: 2x(2;3;4) 943.55.070: 2x 950.09.487: 1x 943.55.072: 1x</p>
	<p>943.55.000: 1x 943.55.050: 1x 943.55.040: 1x (943.55.060: 2x) 926.98.050: 3x(2;3;4) 943.55.002: 1x 943.55.071: 2x 950.09.487: 1x 943.55.072: 1x</p>	<p>-</p>
	<p>943.55.000: 1x 943.55.050: 1x 943.55.040: 1x (943.55.060: 2x) 926.98.050: 5x(2;3;4) 943.55.002: 2x 943.55.071: 3x 950.09.487: 1x 943.55.072: 1x</p>	<p>-</p>
	<p>943.55.000: 1x 943.55.050: 1x 943.55.040: 1x (943.55.060: 2x) 926.98.050: 2x(2;3;4) 943.55.003: 1x 943.55.071: 3x 950.09.487: 1x 943.55.004: 1x 943.55.072: 1x</p>	<p>-</p>
	<p>943.55.000: 1x 943.55.050: 1x 943.55.040: 1x (943.55.060: 2x) 926.98.050: 4x(2;3;4) 943.55.002: 1x 943.55.003: 1x 943.55.071: 4x 950.09.487: 1x 943.55.004: 1x 943.55.072: 1x</p>	<p>-</p>

i

732.29.861



HDE 25.04.2023

		L ≤ 2000	L = 2001 - 2750	L = 2751 - 3500
926.98.050		2x	3x	4x
926.98.051				



<p>943.55.000</p>		<p>+ 943.55.003</p>
<p>A 1x</p> <p>B 1x</p> <p>C 1x</p> <p>D 1x</p>	<p>E 1x</p> <p>F 1x</p> <p>G 1x</p> <p>H 1x</p> <p>I 1x</p> <p>J 1x</p>	<p>V 1x</p> <p>W 1x</p>
<p>+ 943.55.002</p>		<p>+ 943.55.004</p>
<p>E 1x</p> <p>F 1x</p> <p>G 1x</p> <p>H 1x</p>	<p>A 1x</p> <p>B 1x</p> <p>C 1x</p> <p>D 1x</p> <p>V 1x</p> <p>W 1x</p>	
<p>+ 943.55.060 943.55.061</p>	<p>+ 943.55.040 943.55.041</p>	<p>+ 943.55.050 943.55.051</p>
<p>1x L</p>	<p>1x M</p>	<p>1x K</p>
<p>+ 950.09.487 950.09.483 950.09.484</p>	<p>+ 943.55.071</p>	<p>+ 943.55.072</p>
<p>O 1x</p>	<p>P 1x</p> <p>Q 2x</p>	<p>R 1x</p>
<p>+ 926.98.050 926.98.051</p>	<p>+ 943.55.080</p>	<p>+ 943.55.080</p>
<p>1x N</p>	<p>1x U</p>	

732.29.861

HDE 25.04.2023



943.55.001

A 1x **C** 1x **E** 1x **G** 1x 1x **I**
B 1x **S** 1x **H** 1x 1x **J**

+ **943.55.005**

A 1x **B** 1x **S** 1x
C 1x 1x **V**

+ **943.55.060**
943.55.061

1x **L**

+ **943.55.040**
943.55.041

1x **M**

+ **926.98.050**
926.98.051

1x **N**

+ **950.09.487**
950.09.483
950.09.484

1x **O**

+ **943.55.070**

P 1x **Q** 2x
T 1x

+ **943.55.072**

1x **R**

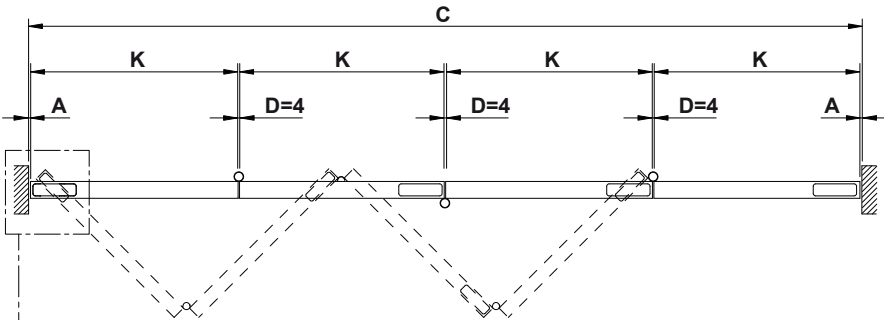
+ **943.55.080**

1x **U**

732.29.861

HDE 25.04.2023

i



K $(C - A - D - D - A) / 4$

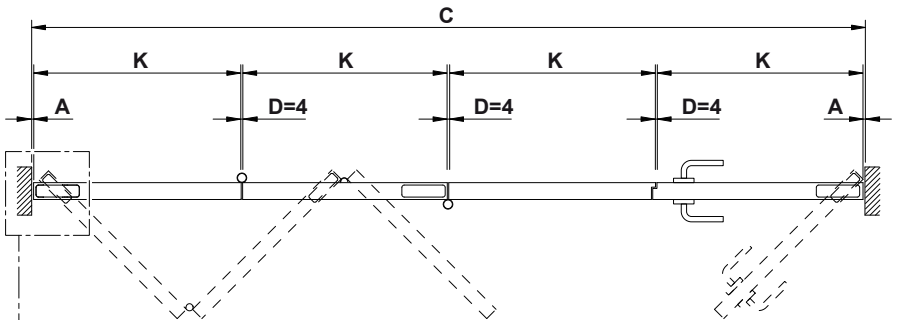
B	35-44	45-54	55-60
E	5	7	9

▶ 34/40

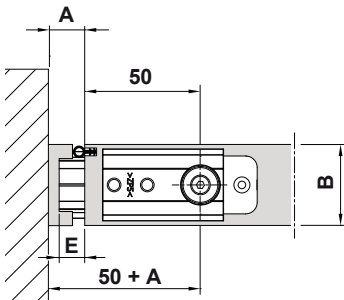
732.29.861

HDE 25.04.2023

i



K $(C - A - D - D - A) / 4$

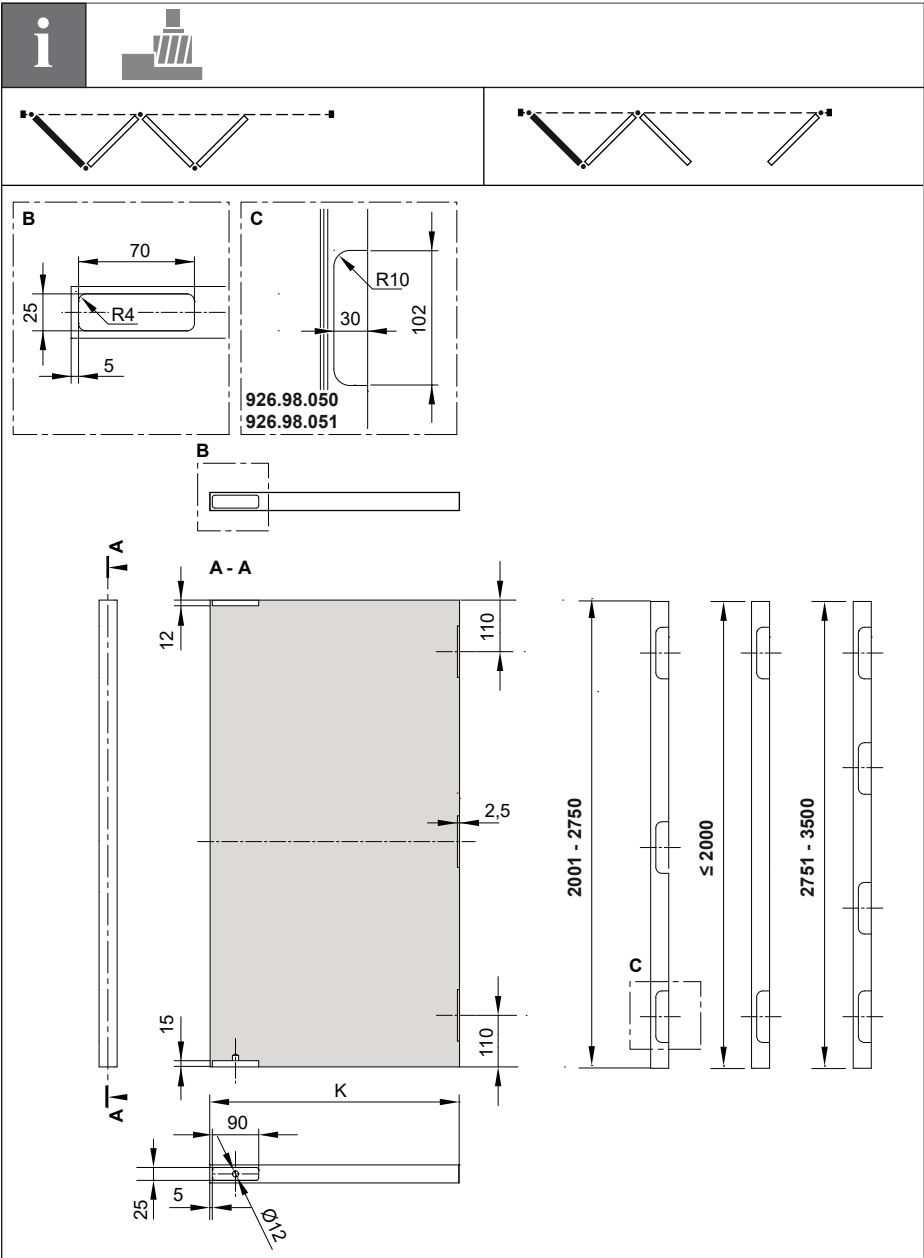


B	35-44	45-54	55-60
E	5	7	9

► 34/40

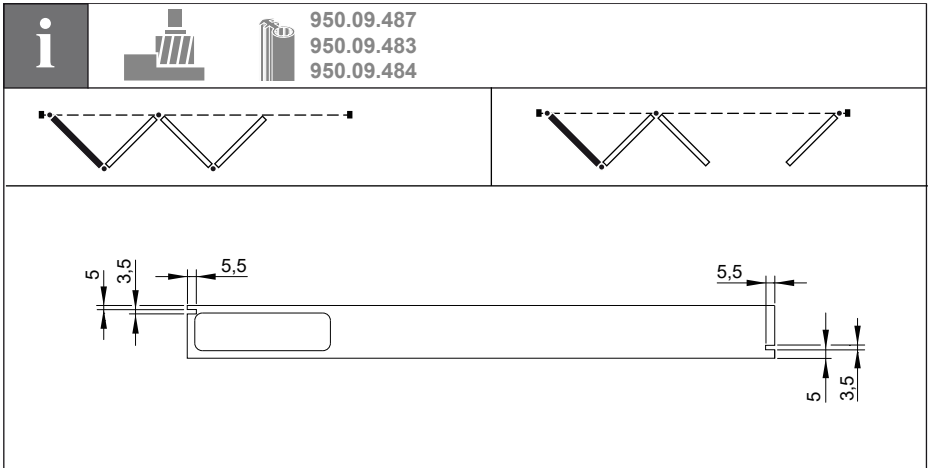
732.29.861

HDE 25.04.2023



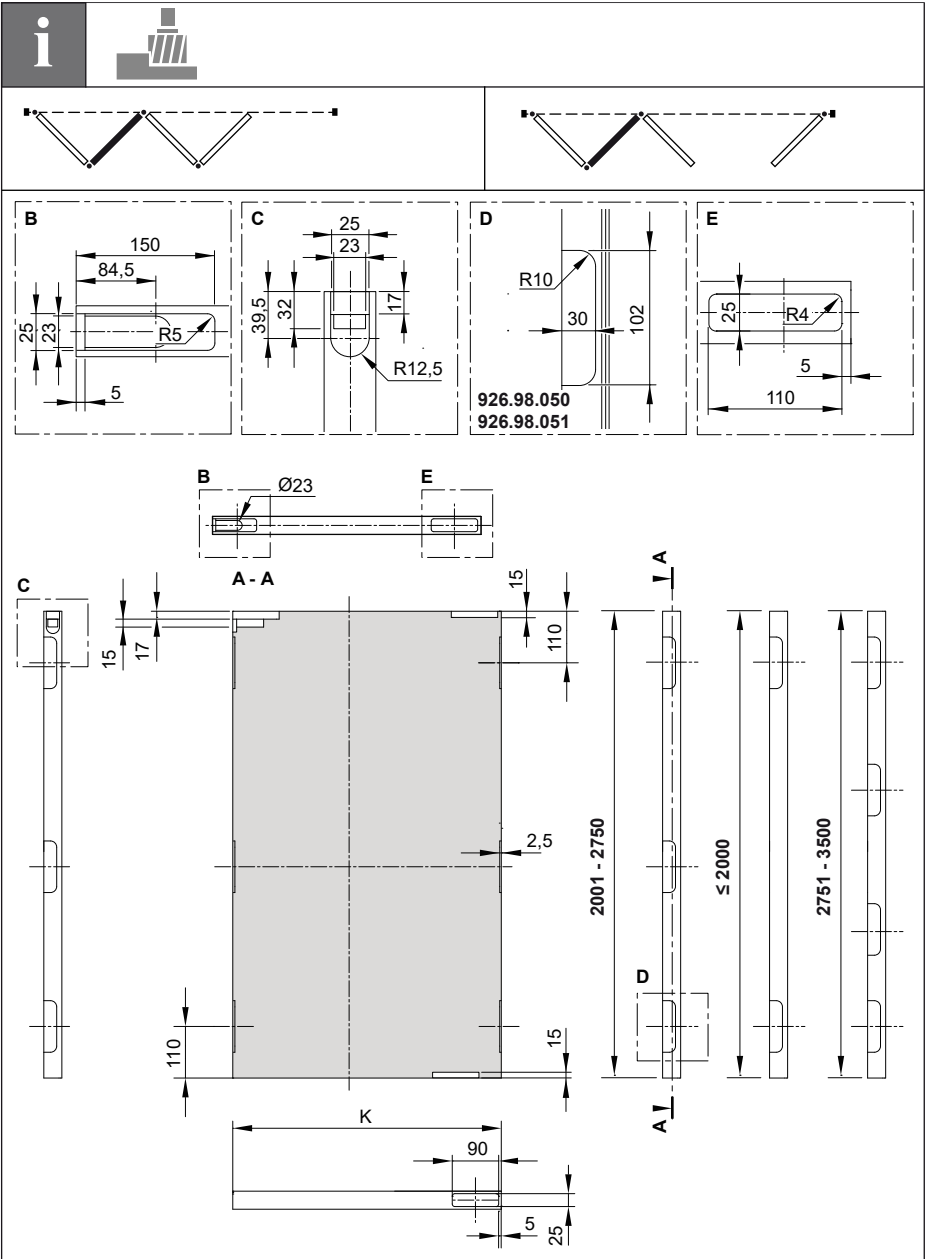
732.29.861

HDE 25.04.2023



732.29.861

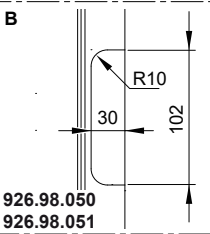
HDE 25.04.2023



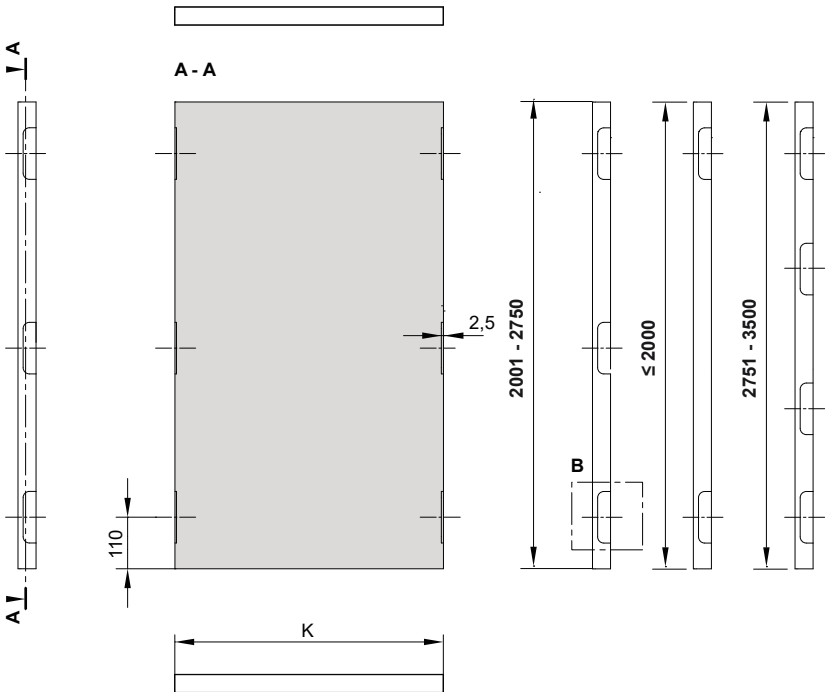
732.29.861

HDE 25.04.2023

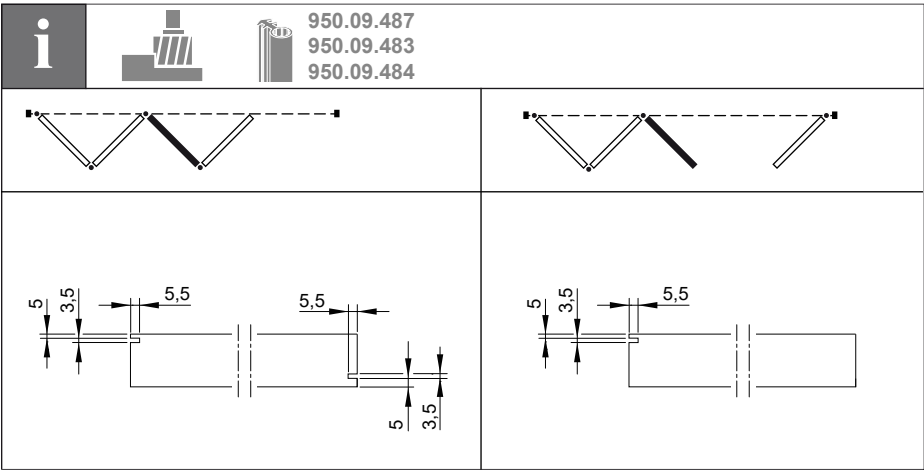
i



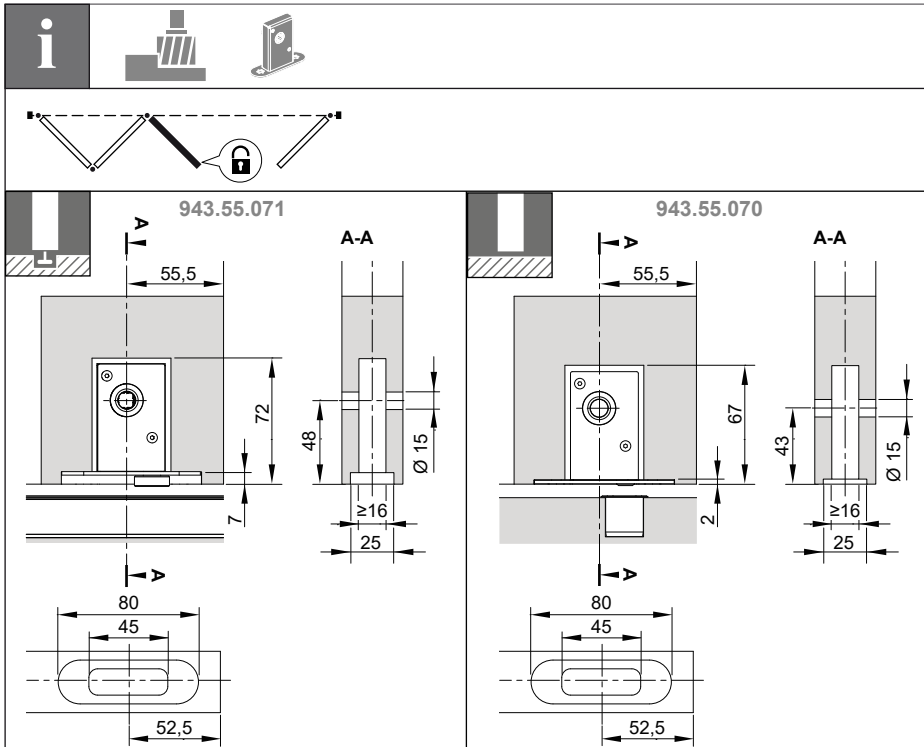
732.29.861



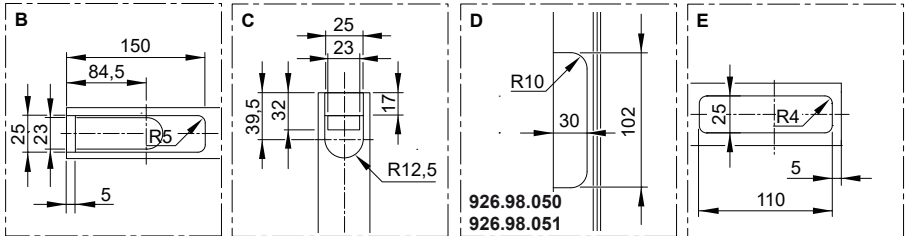
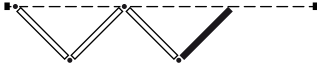
HDE 25.04.2023



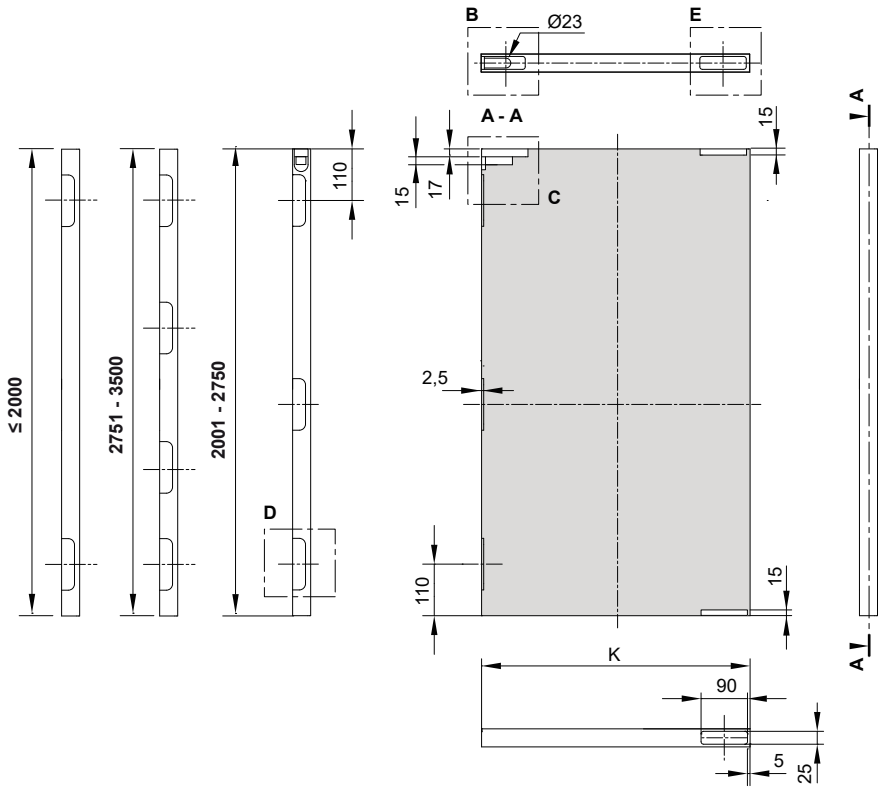
732.29.861



HDE 25.04.2023






732.29.861





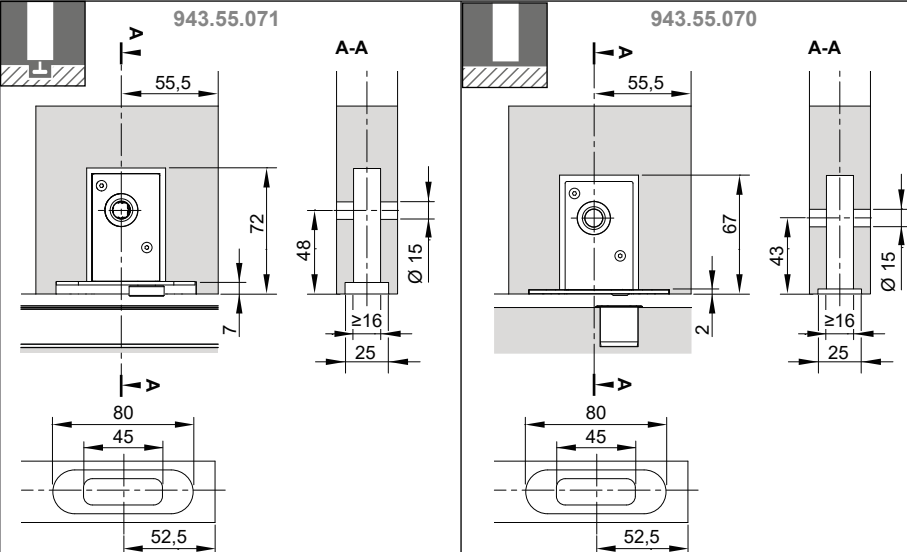
HDE 25.04.2023



i   950.09.487
950.09.483
950.09.484



i  



943.55.071

943.55.070

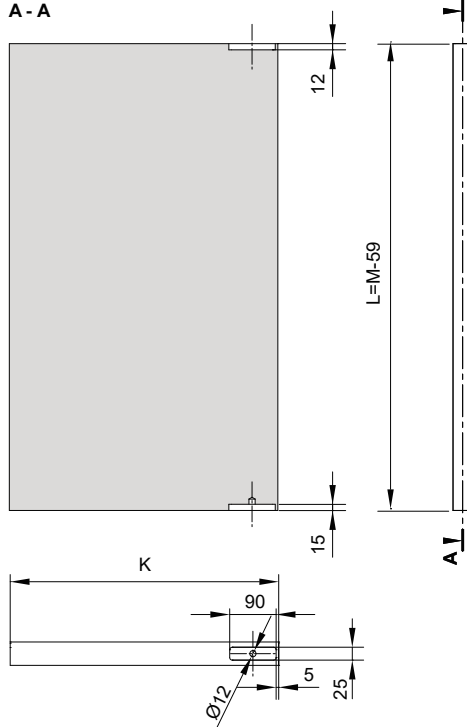
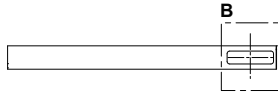
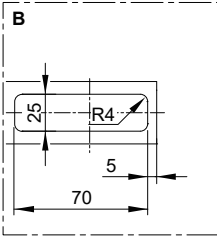
Dimensions for 943.55.071: 55,5, 72, 7, 80, 45, 52,5, 48, ≥ 16 , 25, $\varnothing 15$.

Dimensions for 943.55.070: 55,5, 67, 2, 80, 45, 52,5, 43, ≥ 16 , 25, $\varnothing 15$.

732.29.861



HDE 25.04.2023

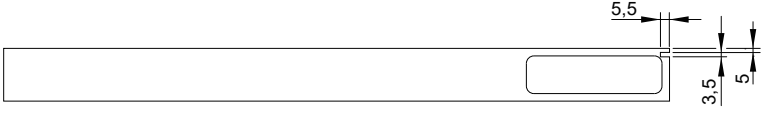
i





732.29.861

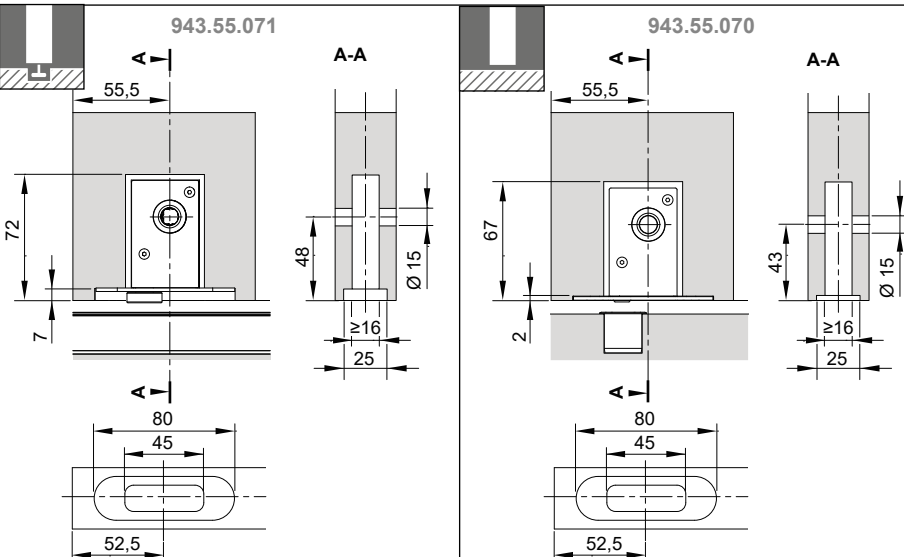
HDE 25.04.2023

i   950.09.487
950.09.483
950.09.484



732.29.861

i  



943.55.071

A-A

943.55.070

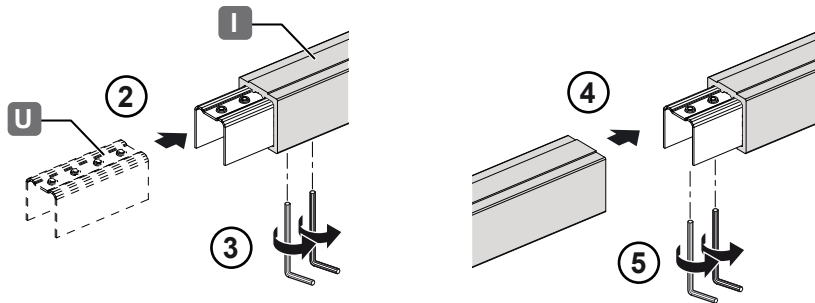
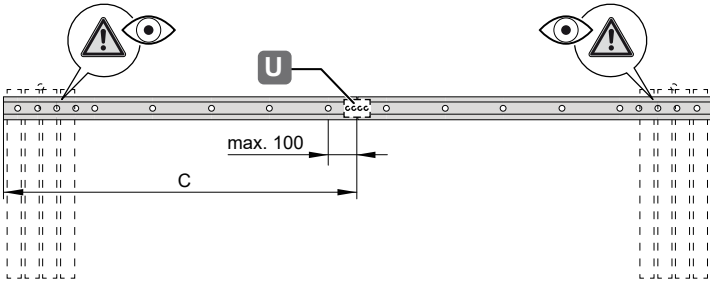
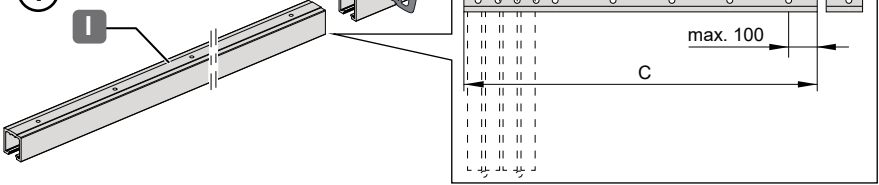
A-A

HDE 25.04.2023

1



1



732.29.861

HDE 25.04.2023

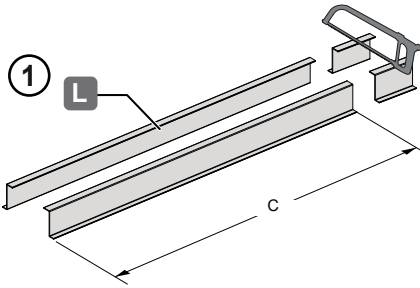
2



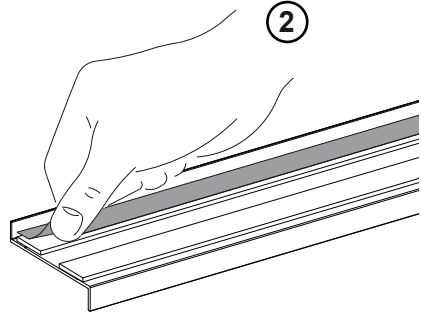
943.55.060
943.55.061

1

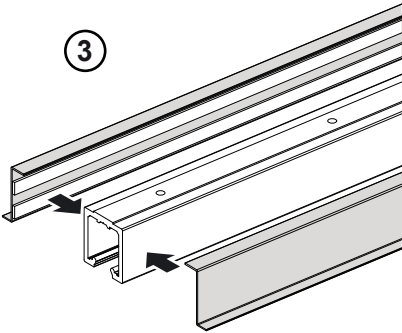
L



2



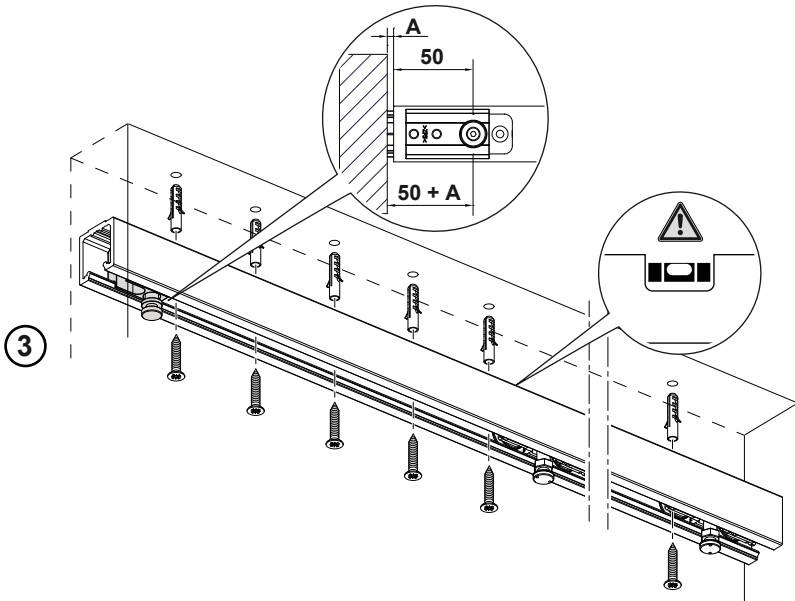
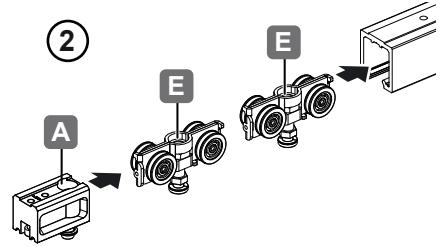
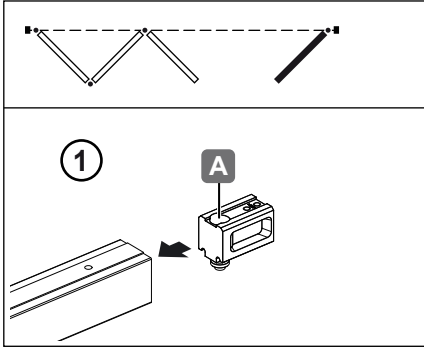
3



732.29.861

HDE 25.04.2023

3

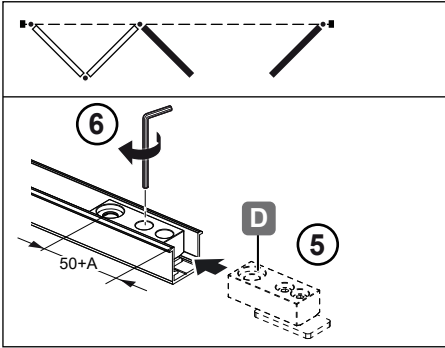
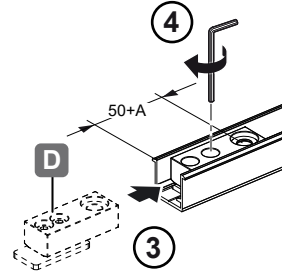
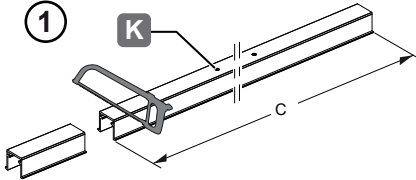


732.29.861

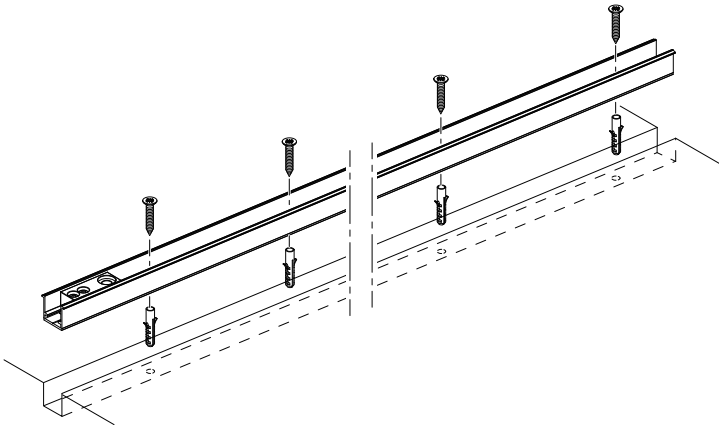
HDE 25.04.2023



4



7

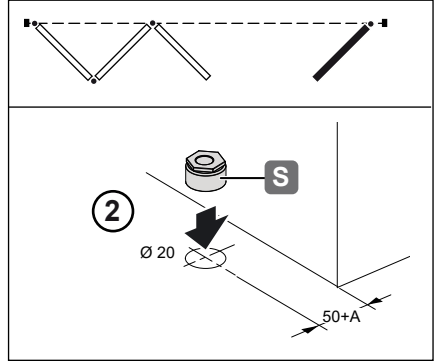
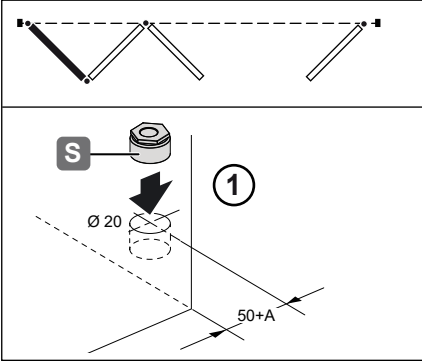


732.29.861

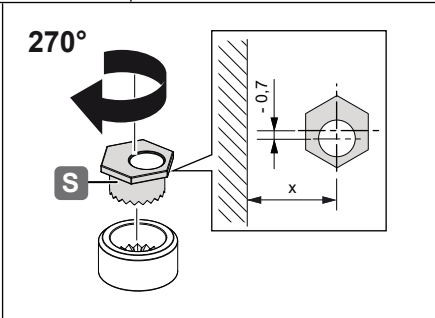
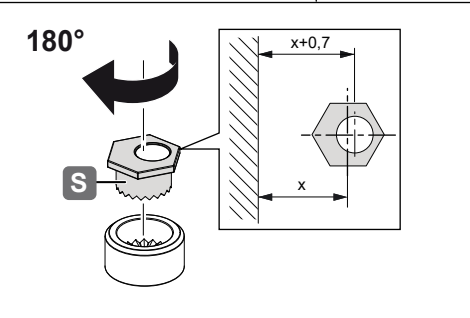
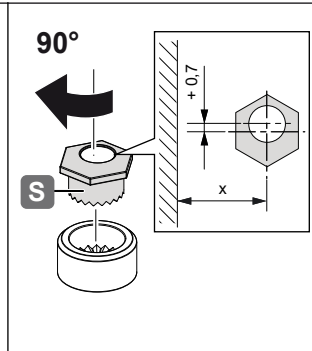
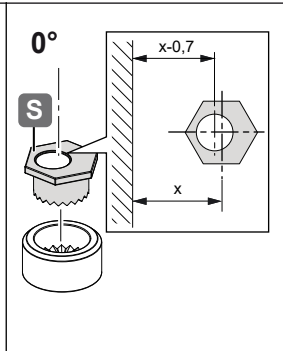
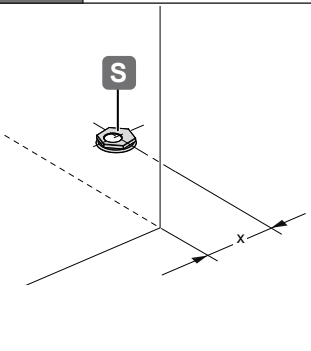
HDE 25.04.2023



4

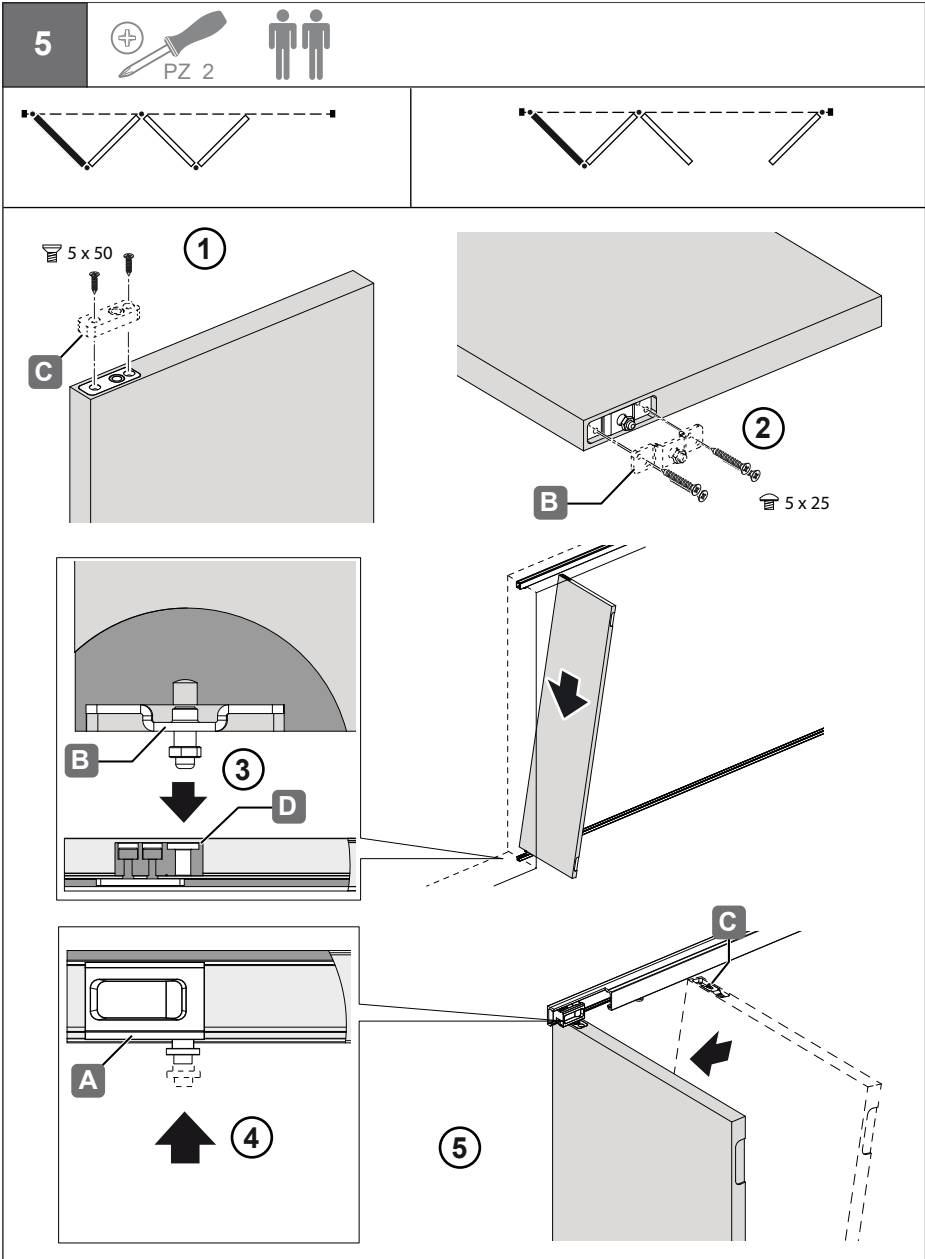


i



732.29.861

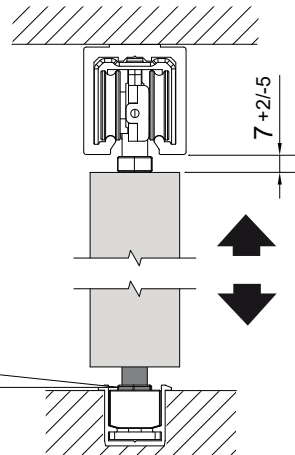
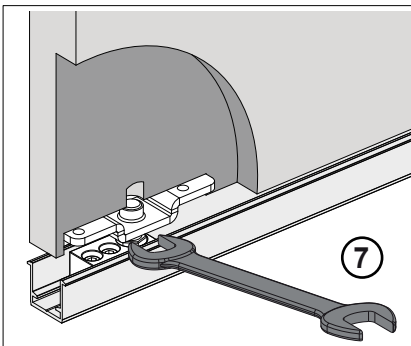
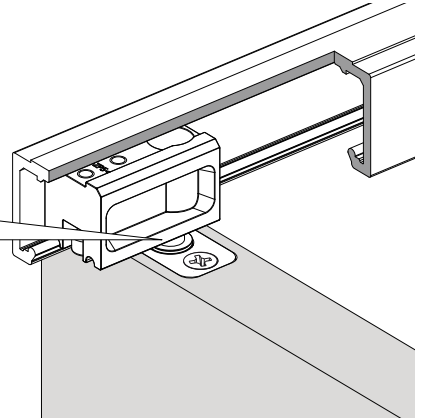
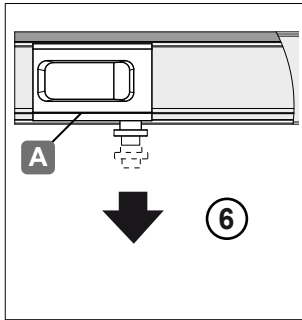
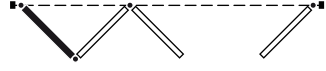
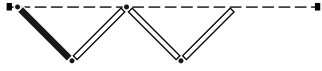
HDE 25.04.2023



732.29.861

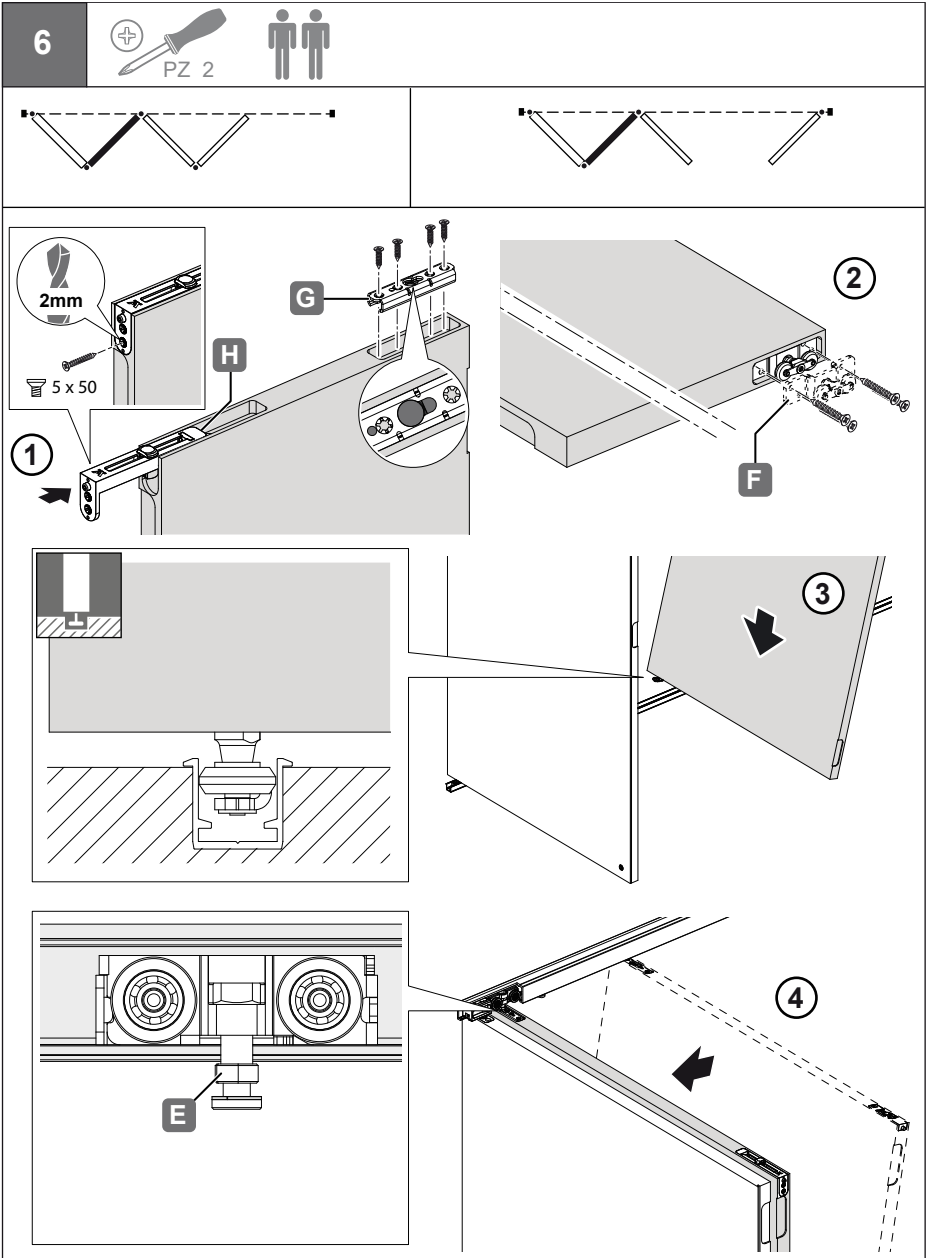
HDE 25.04.2023

5



732.29.861

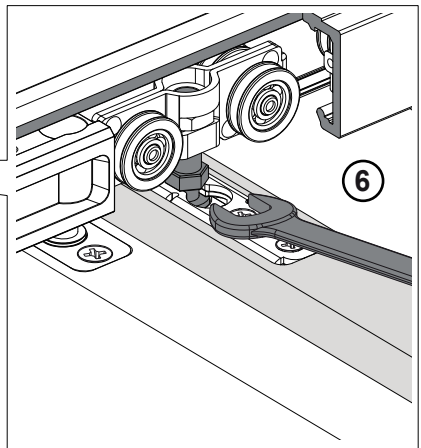
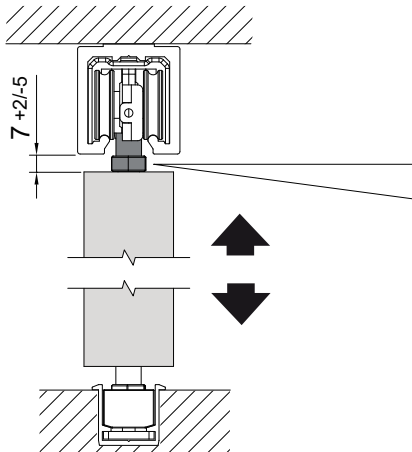
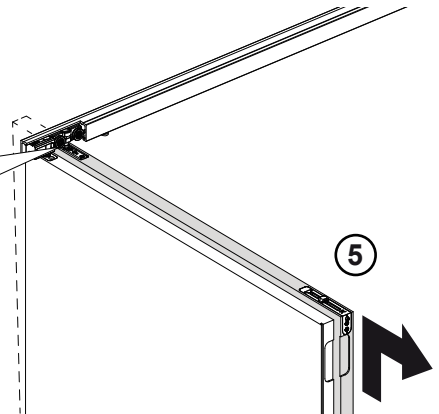
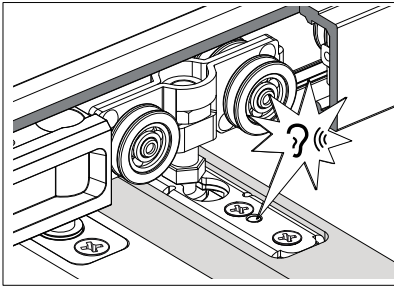
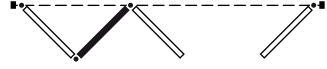
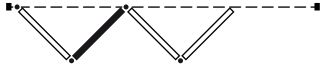
HDE 25.04.2023



732.29.861

HDE 25.04.2023

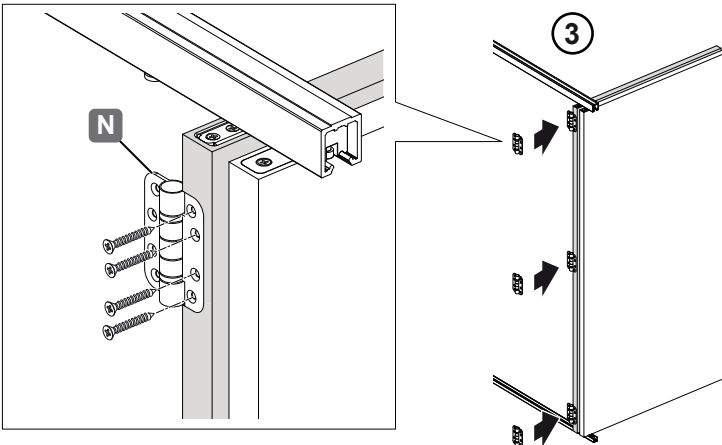
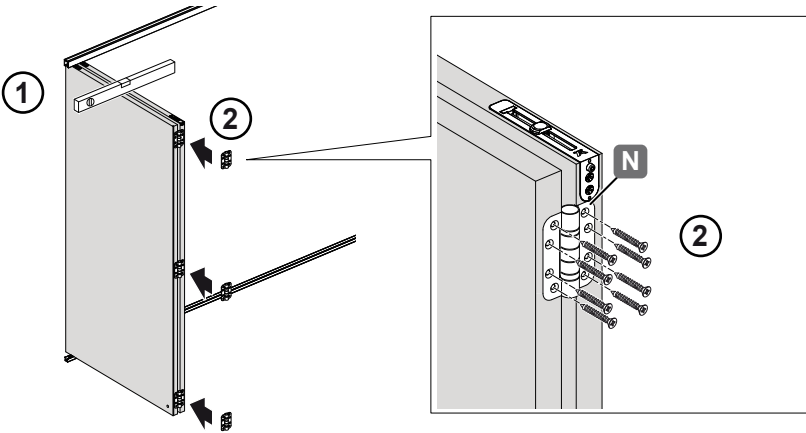
6



732.29.861

HDE 25.04.2023

7



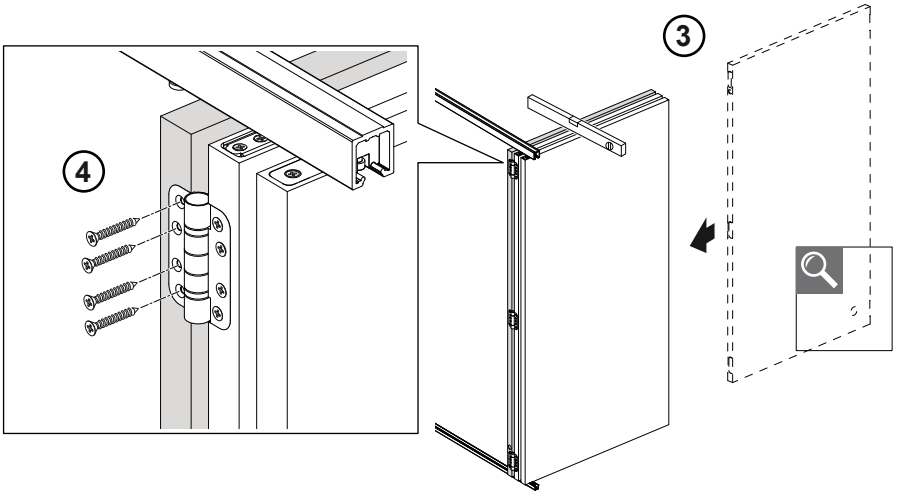
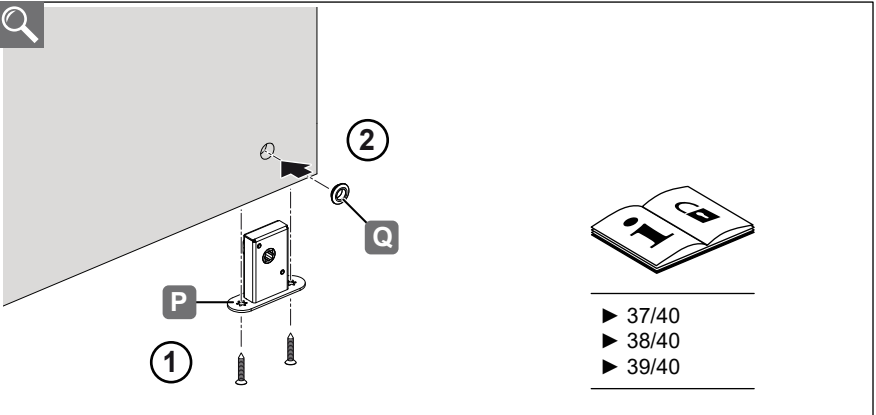
732.29.861

HDE 25.04.2023

8



943.55.071



732.29.861

HDE 25.04.2023



9    943.55.071



44

Ø 25

S

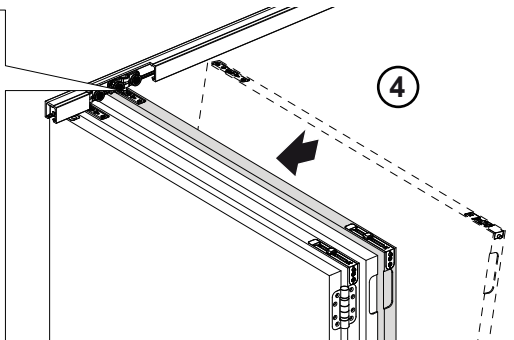
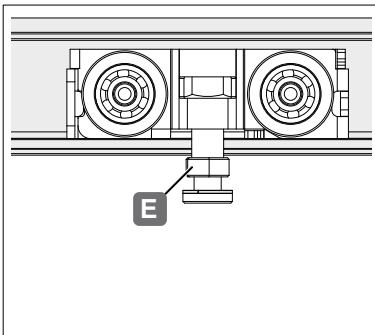
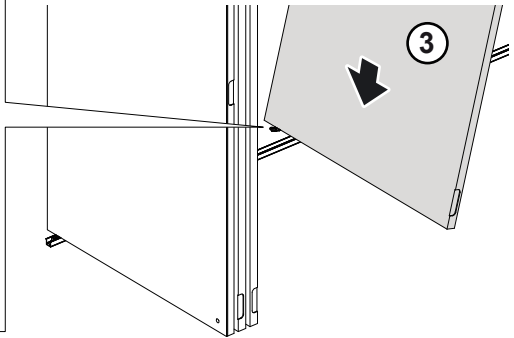
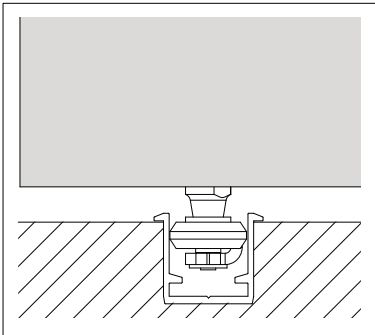
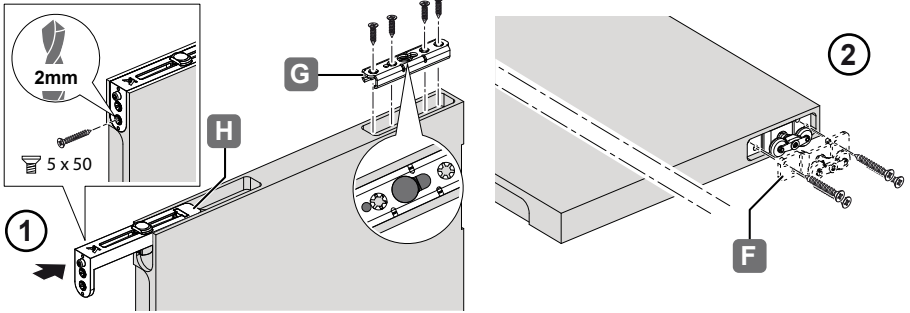
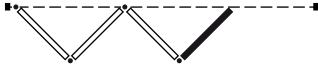
S

► 37/40

732.29.861

HDE 25.04.2023

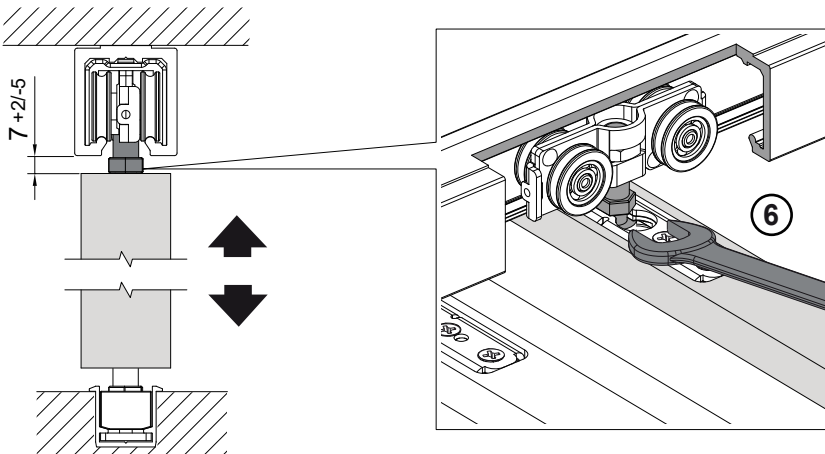
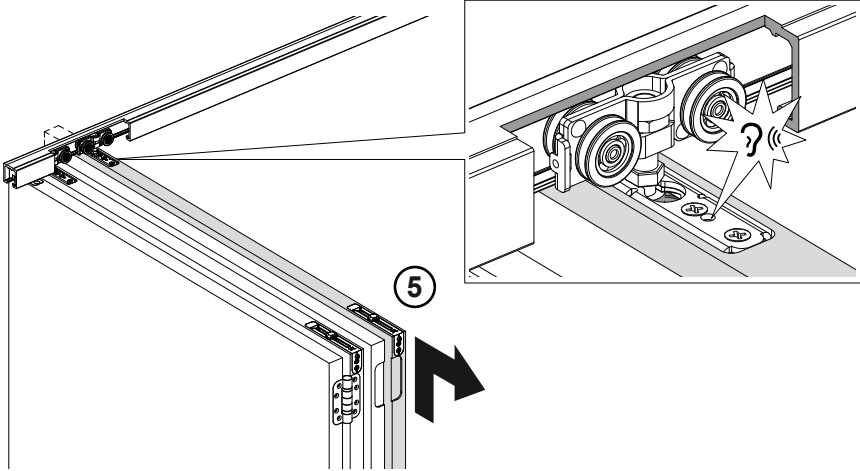
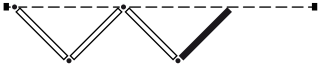
10



732.29.861

HDE 25.04.2023

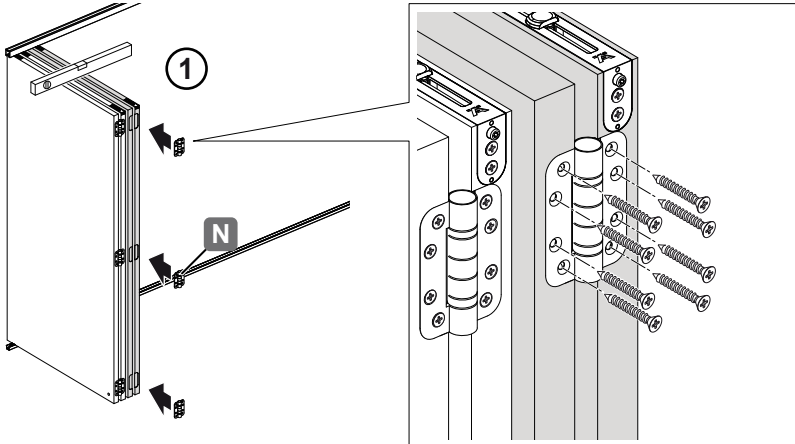
10



732.29.861

HDE 25.04.2023

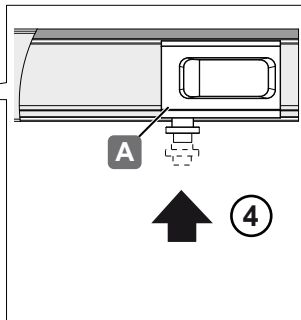
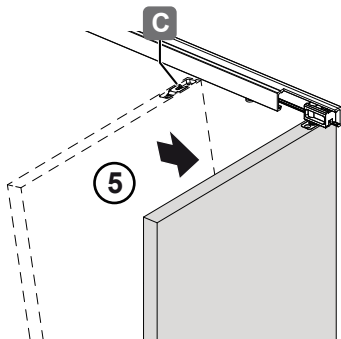
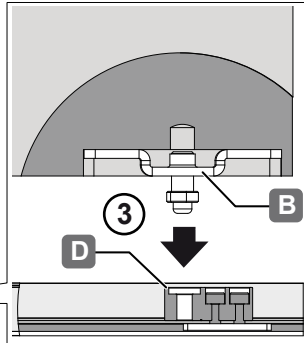
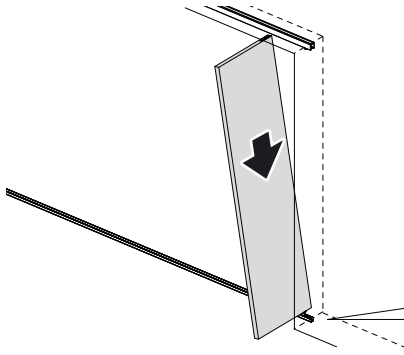
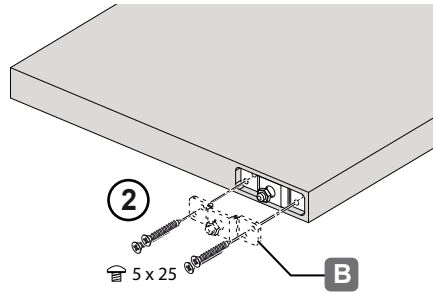
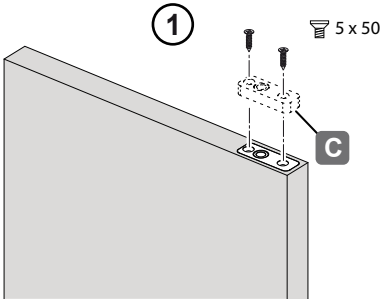
11



732.29.861

HDE 25.04.2023

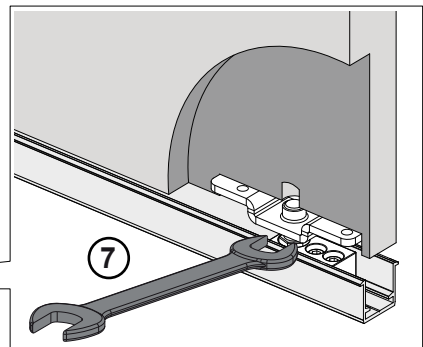
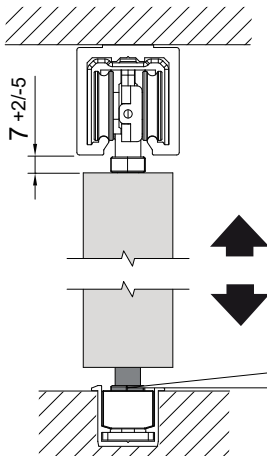
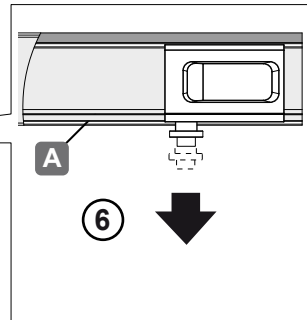
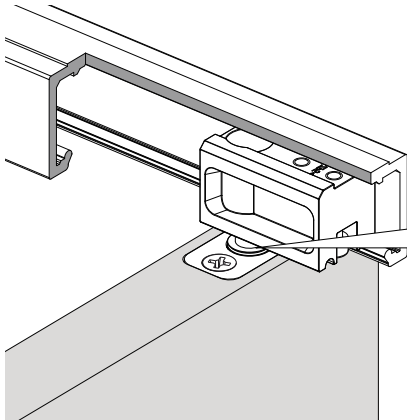
12



732.29.861

HDE 25.04.2023

12



732.29.861

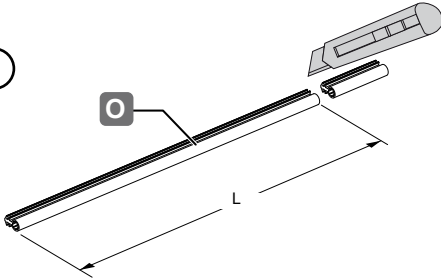
HDE 25.04.2023

13

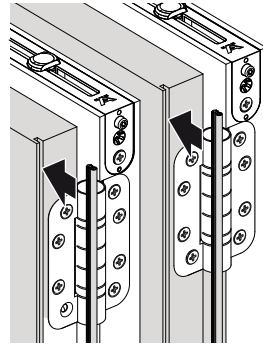


950.09.487
950.09.483
950.09.484

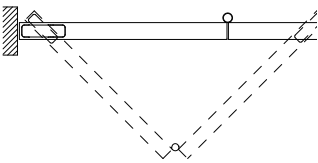
1



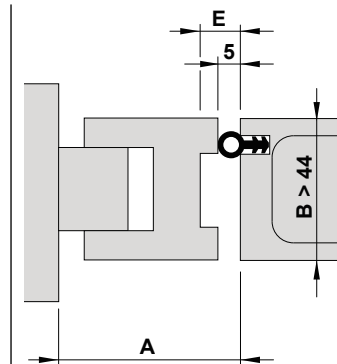
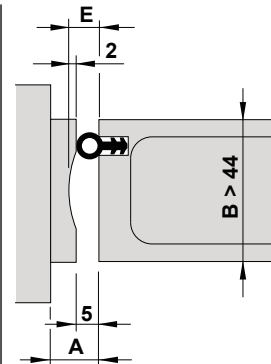
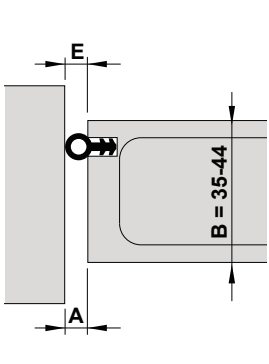
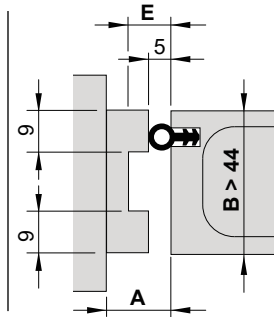
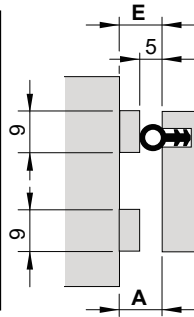
2



i



B	35-44	45-54	55-60
E	5	7	9

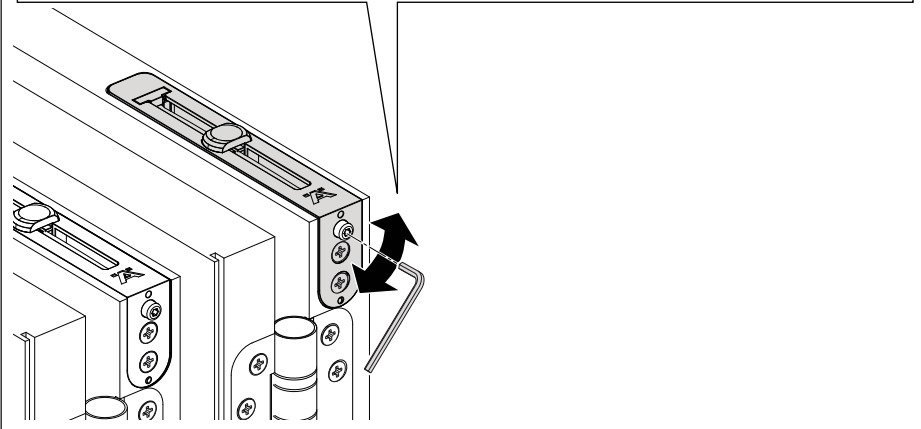
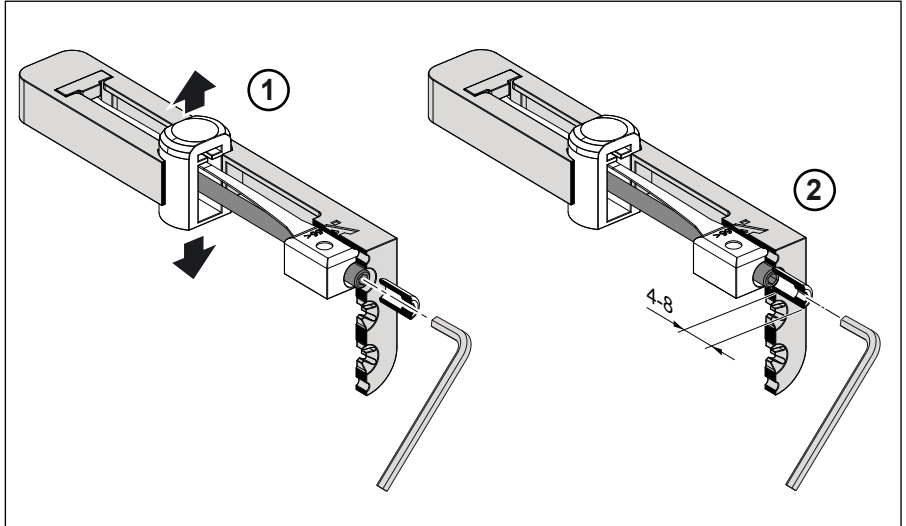


732.29.861

HDE 25.04.2023




732.29.861




HDE 25.04.2023

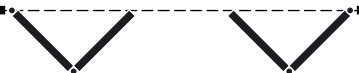
i

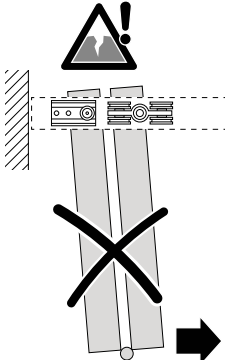


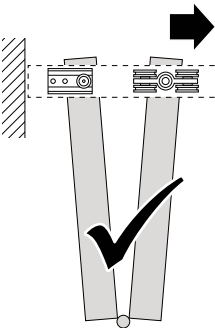
943.55.003

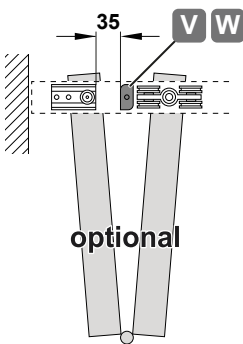


SW 3

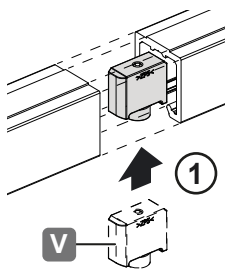




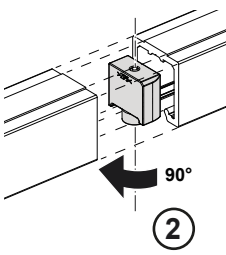




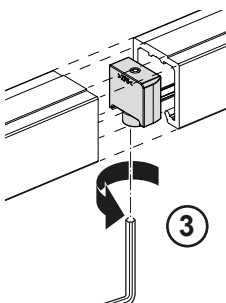
optional



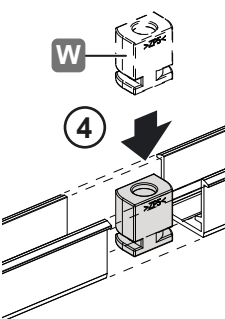
1



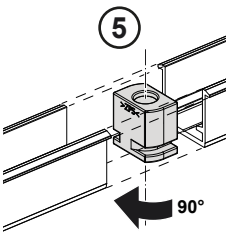
2
90°



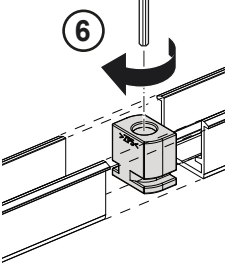
3



4



5
90°



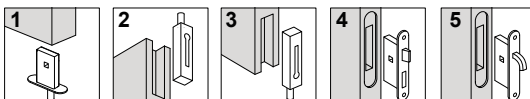
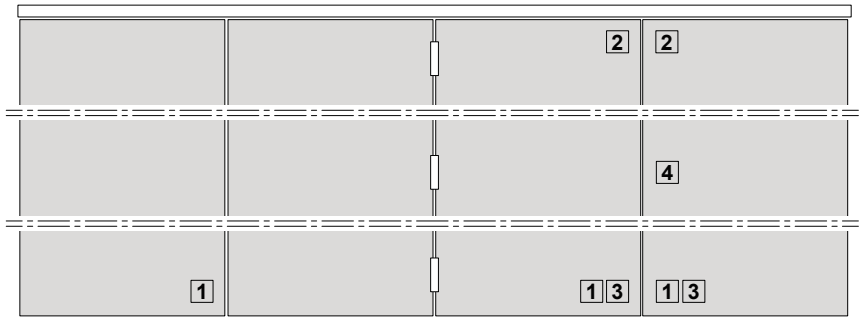
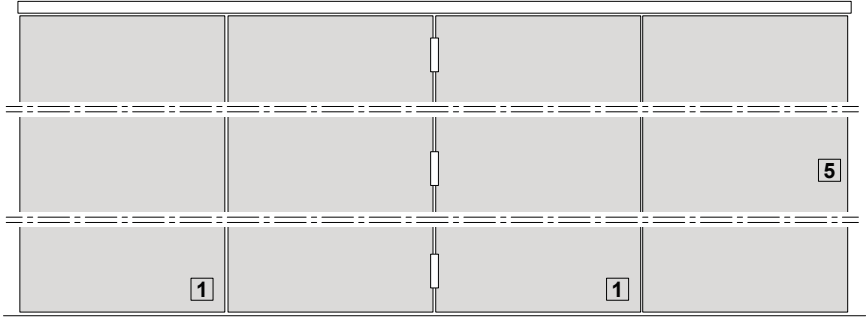
6

732.29.861

HDE 25.04.2023

36/40

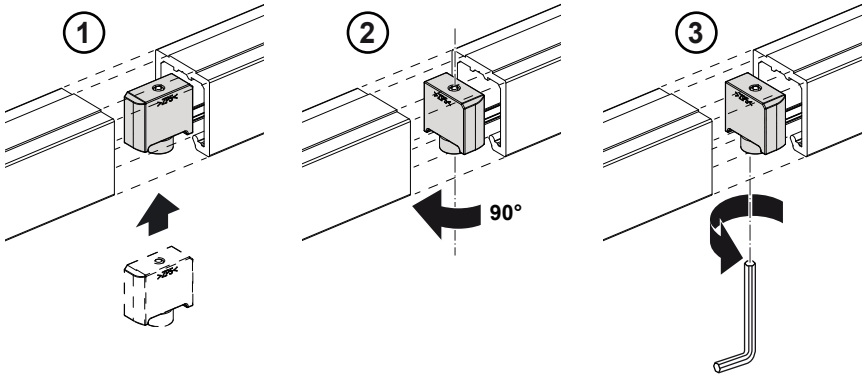
i



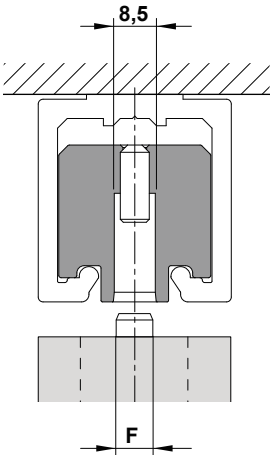
732.29.861

HDE 25.04.2023

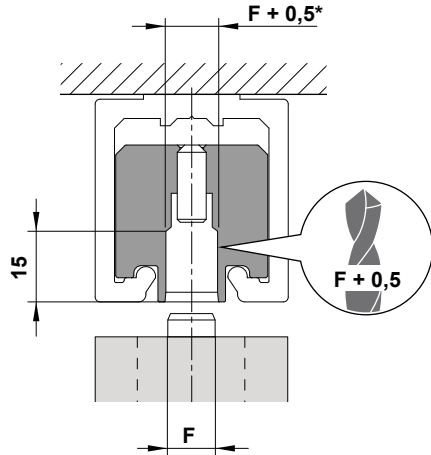
i



F = 8mm



F > 8mm

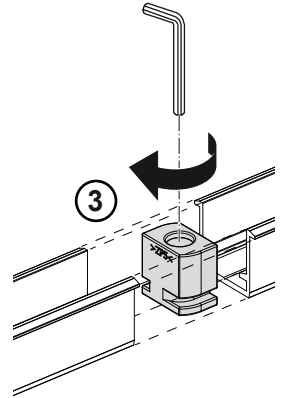
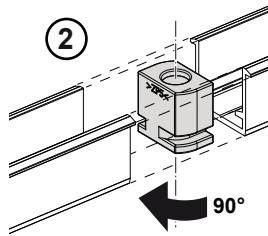
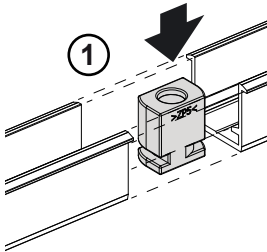
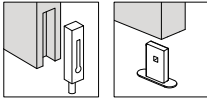


* max. 12,5mm

732.29.861

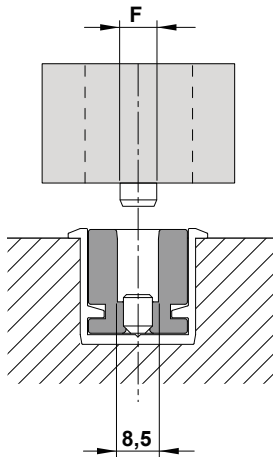
HDE 25.04.2023

i

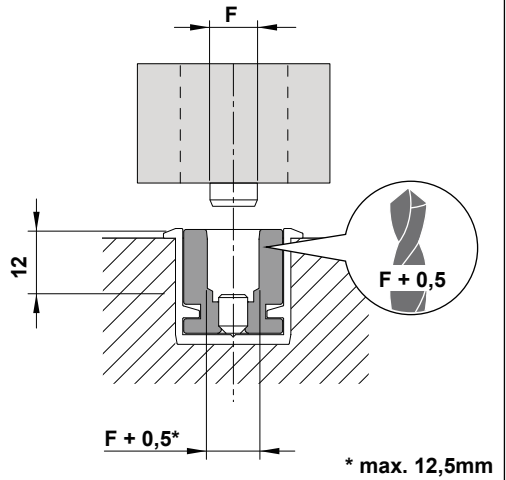


732.29.861

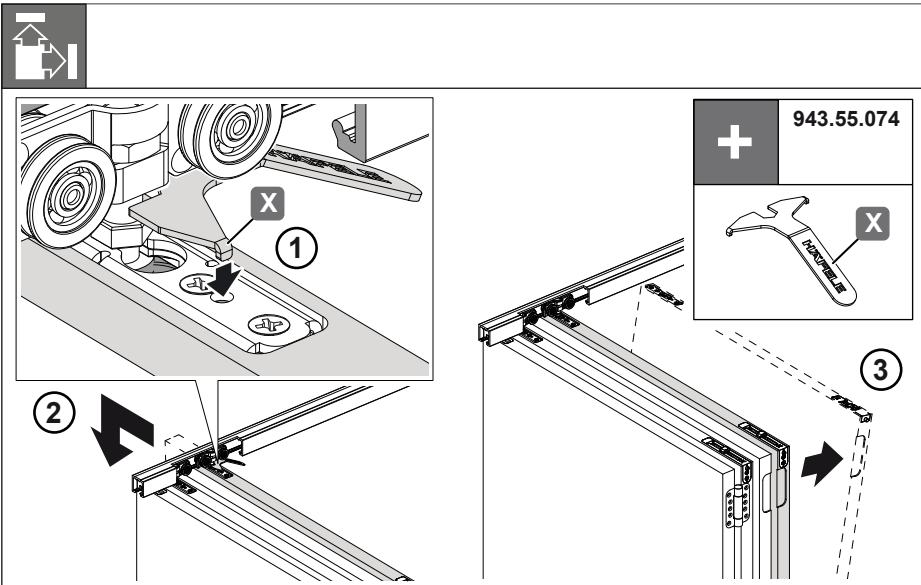
F = 8mm



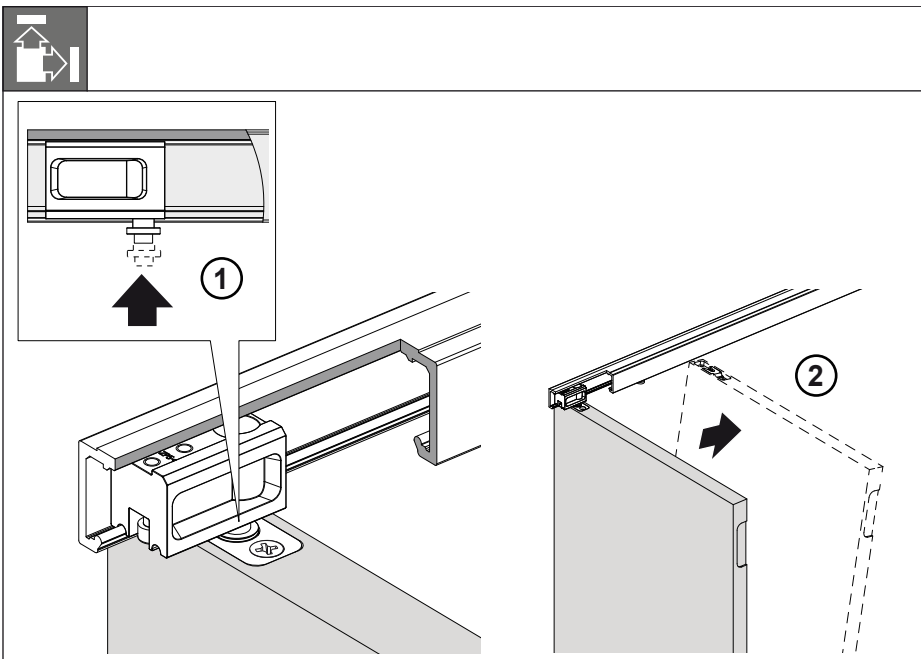
F > 8mm



HDE 25.04.2023



732.29.861



HDE 25.04.2023